

LABMATE^{Soft}

ENGLISH	1 – 14
DEUTSCH	15 – 30
FRANÇAIS	31 – 46
ESPAÑOL	47 – 60
POLSKI	61 – 76
РУССКИЙ	77 – 92

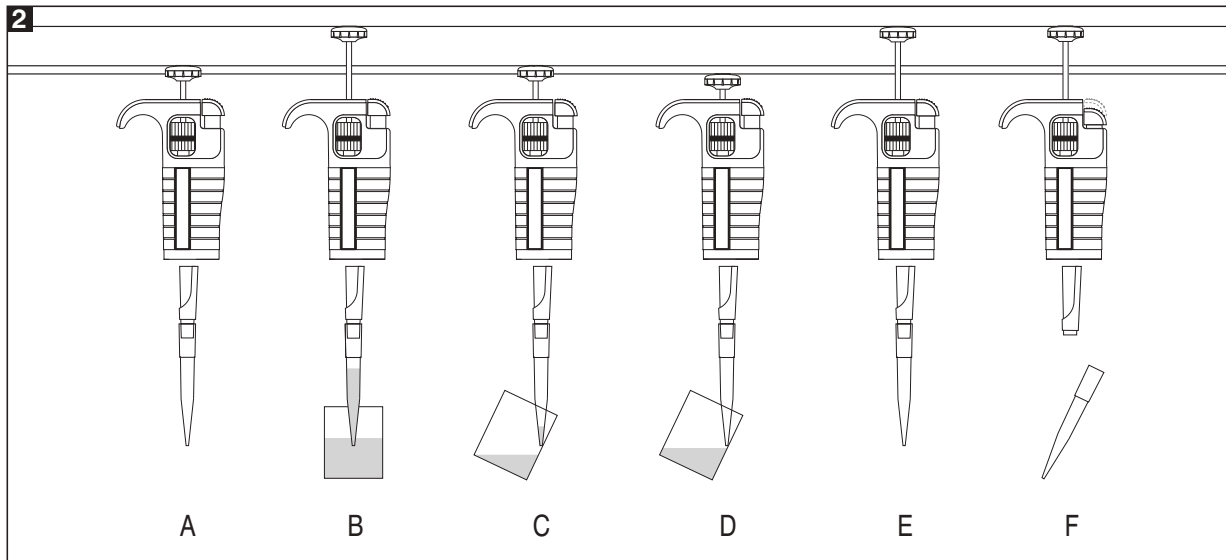
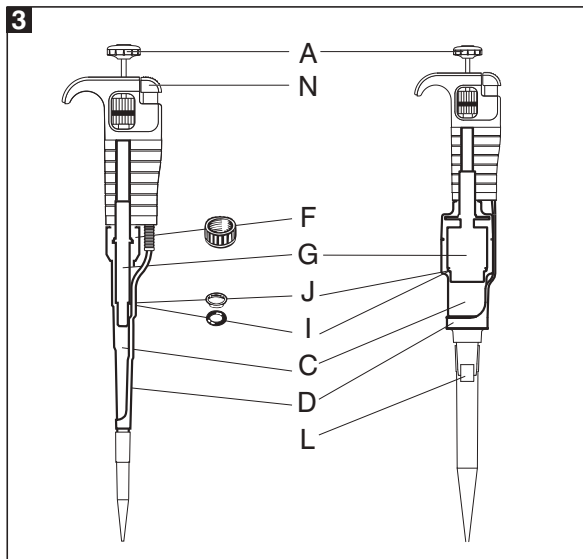
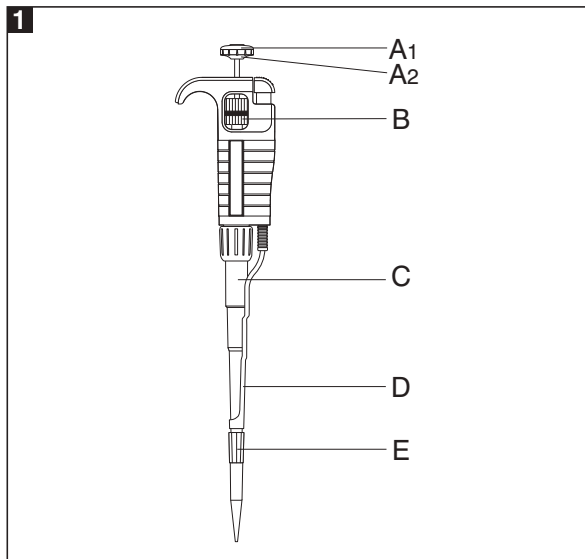
CE IVD



HTL
HTL LAB SOLUTIONS



PZ HTL S.A. is in possession of a registered and certified quality management system which includes the development, production, and sales of high quality Liquid Handling products.



CONTENTS

1 - INTRODUCTION
2 - SETTING THE VOLUME
3 - ASPIRATING AND DISPENSING LIQUIDS
4 - PRE-RINSING
5 - DENSE AND VISCOUS LIQUIDS
6 - HTL PIPETTE TIPS
7 - RECOMMENDATIONS
8 - RECALIBRATION
9 - TROUBLESHOOTING
10 - PIPETTE KIT
11 - SPARE PARTS

1 - INTRODUCTION

The **LAB MATE Soft** is a volumetric instrument designed to measure and transfer liquids precisely and safely. It can measure and transfer volumes from 0.1 μl to 10000 μl depending on the model.

The **LAB MATE Soft** pipettes are equipped with a digital counter which shows the pipetting volume. The set volume is visible in the window on the handle. The setting of the volume is done by turning of the pipetting push-button knob (Fig. 1A2) or by turning of the black knurled adjustment knob (Fig. 1B) in the right direction. The range of the volume of the aspired liquid is shown on the pipetting pushbutton (Fig. 1A1).

The volume range from 0.1 μl to 10000 μl is covered by 10 pipette models.

Model	Volume range [μl]
LM2	0.1 - 2
LM10	0.5 - 10
LM20	2 - 20
LM50	5 - 50
LM100	10 - 100
LM200	20 - 200
LM250	50 - 250
LM1000	100 - 1000
LM5000	1000 - 5000
LM10000	1000 - 10000

LM2, LM10	Measurement and transfer of micro-volumes, DNA sequencing and enzyme-assay applications.
LM20, LM50, LM100, LM200, LM250, LM1000	Measurement and transfer of general aqueous solution, acids and bases
LM5000, LM10000	Measurement and transfer of large volumes.

The liquid is aspirated into disposable tips attached to the pipette shaft. Disposable tips ensure maximum safety and eliminate possibility of crosscontamination of the liquid samples.

To protect the user from contaminated tips the **LAB MATE Soft** is equipped with a built-in tip ejector, (Fig.1D).

The construction of the ejector enables the user to set up the length. The adjustable tip ejector accommodates every variety of tips available on the market. When using narrow tubes, it may be necessary to remove the tip ejector. It is simply removed by pulling down.

Adjusting of the Tip Ejector Length

- in 2-1000 μl pipettes (Fig. 6A).

The regulated "H" spacers, included in the box allow for regulating the length of tip ejector by +1mm or +2mm. An "H0" spacer is inserted on a standard basis. The outside shape of the spacer identifies the adjustment.

- in 5000 and 10000 μl pipettes (Fig. 6B).

The length of tip ejector is regulated by screwing in or screwing out the tip ejector stem with a screwdriver. Turn the screwdriver counter clockwise to increase the length of tip ejector, and clockwise to reduce the length of tip ejector. The ejector can be adjusted in the range of 5 mm. If above described method of ejector adjustment is not sufficient or the diameter of the ejector opening is too

large to dispose the tip it is necessary to put the ejector cap "M" onto the ejector, (Fig. 6C).

- in 2 and 10 μl pipettes (Fig. 6D)

The 2 μl - 10 μl pipettes may require the use of an ejector cap "M" to efficiently eject certain brands of pipette tips. Simply place the cap, supplied with the pipette, on the bottom of the pipette shaft and slide the cap upwards until it surrounds the bottom of the tip ejector.

The **LAB MATE Soft** is a high quality instrument which offers excellent accuracy and precision.

The accuracy and precision (repeatability) of liquid volume depend on the quality of tips used. The values for accuracy and precision given in the table below were obtained using **HTL** tips. Only those tips guarantee correct operation of the pipettes and ensure accuracy and precision of liquid sampling.

Model	Cat. no.	Volume [μl]	Accuracy [%]	Precision [%]	Tip μl	Shafts color
LM2	4811	0.2	± 12.0	± 6.0	10 μl	red
		1.0	± 2.7	± 1.3		
		Max 2.0	± 1.5	± 0.7		
LM10	4812	Min 0.5	± 4.0	± 2.8	10 μl	red
		5.0	± 1.0	± 0.6		
		Max 10.0	± 0.5	± 0.4		
LM20	4813	Min 2	± 3.0	± 1.5	200 μl	yellow
		10	± 1.0	± 0.5		
		Max 20	± 0.8	± 0.3		
LM50	4817	Min 5	± 2.5	± 2.0	200 μl	yellow
		25	± 1.0	± 0.6		
		Max 50	± 0.8	± 0.4		
LM100	4814	Min 10	± 1.6	± 0.80	200 μl	yellow
		50	± 0.8	± 0.24		
		Max 100	± 0.8	± 0.20		
LM200	4815	Min 20	± 1.2	± 0.60	200 μl	yellow
		100	± 0.8	± 0.25		
		Max 200	± 0.6	± 0.20		
LM250	4810	Min 50	± 1.0	± 0.4	300 μl	green
		125	± 0.8	± 0.3		
		Max 250	± 0.6	± 0.3		
LM1000	4816	Min 100	± 1.6	± 0.40	1000 μl	blue
		500	± 0.7	± 0.20		
		Max 1000	± 0.6	± 0.15		
LM5000	4818	Min 1000	± 0.6	± 0.25	5000 μl	white
		2500	± 0.6	± 0.20		
		Max 5000	± 0.5	± 0.15		
LM10000	4819	Min 1000	± 2.5	± 0.6	10000 μl	white
		5000	± 0.8	± 0.3		
		Max 10000	± 0.5	± 0.2		

The accuracy and precision are obtained with **HTL** tips, using a gravimetric method, performing at least 10 measurements of distilled water at a temperature of $20 \pm 1^\circ\text{C}$, according to EN ISO 8655 standard.

The pipette design enables the user to perform the recalibration process according to the rules presented in section 8.

2 - SETTING THE VOLUME

The counter displays three figures to be read from top to bottom. Additional to the figures on the lower wheel are printed graduations to enable a volume setting in the range increment of each pipette model.

Examples of the meaning of the black and red figures:

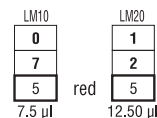
Pipettes **LM2**

Red figures at the bottom = $1/100 \mu\text{l}$
Increment = $0.002 \mu\text{l}$



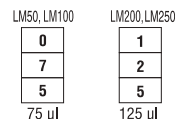
Pipettes **LM10, LM20,**

Red figures at the bottom = $1/10 \mu\text{l}$
Increment = $0.02 \mu\text{l}$



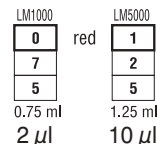
Pipettes **LM50, LM100, LM200, LM250**

Black figures only = $1 \mu\text{l}$
Increment = $0.2 \mu\text{l}$



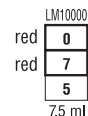
Pipettes **LM1000, LM5000,**

Red figures at the top - ml
Increment =



Pipettes **LM10000**

Red figures at the top - ml
Increment = $20 \mu\text{l}$



The volume of the pipette is set by the knob in the pipetting pushbutton (Fig. 1A2) or by the black adjustment knob (Fig. 1B). To attain the maximum accuracy, set volume must be approached from a higher value by diminishing counter readings.

- If the desired volume is lower than set volume shown by the counter, the operator should turn the pipetting pushbutton (Fig. 1A2) or the black adjustment knob (Fig. 1B) to the direction diminishing counter readings to the required volume. Before achieving the required volume slowly rotate the knob and observe carefully diminishing reading to avoid accidentally passing the setting value.
- If the desired volume is higher than set volume shown by the counter, the operator should turn the pipetting pushbutton (Fig. 1A2) or the black adjustment knob (Fig. 1B) increasing the value until the lower figure wheel comes 1/3 of a turn beyond the required setting and then slowly backward until the setting reaches the desired volume. Make sure not to pass the setting value.

If the knob is accidentally turned too far, the process must be repeated. The desired volume must always be set from the higher value in the order of decreasing value.

3 - ASPIRATING AND DISPENSING LIQUIDS

Place a tip on the shaft of the pipette. See Section 6 for the appropriate tip. Press the tip on firmly using a slight twisting motion to ensure a positive, airtight seal.

Important: Never aspirate liquids into the LAB MATE Soft without a tip attached.

Aspiration

Press the pushbutton to the first positive stop, (Fig. 2A). Holding the pipette vertically, immerse the tip into the sample liquid. The depth to which the tip is immersed in the sample liquid depends on the model.

Model	Immersion depth (mm)
LM2	≤ 1
LM10	≤ 1
LM20, LM50, LM100	2 ÷ 3
LM200, LM250, LM1000	2 ÷ 3
LM5000	3 ÷ 6
LM10000	5 ÷ 7

Release the pushbutton slowly and smoothly to aspirate the sample, (Fig. 2B). Wait one second and then withdraw the tip from the liquid. When the pipette tip is immersed not as deeply as the recommended depth or when the pipetting pushbutton is rapidly released air may enter the disposable tip.

Avoid touching the orifice of the tip.

Dispensing

- Place the end of the tip against the inside wall of the vessel at an angle of 10 to 40 degrees.
- Press the pushbutton smoothly to the first stop, (Fig. 2C). Wait one second.
- Press the pushbutton to the second stop to expel any remaining liquid, (Fig. 2D).
- Keeping the pushbutton depressed to the very end, remove the pipette by drawing the tip against the inside surface of the receiving vessel.
- Release the pushbutton to its starting position, (Fig. 2E).
- Eject the tip by pressing the tip ejector button, (Fig. 2F). Remember to change the tip whenever a different kind of liquid is to be sampled.

Filters

Replaceable filter installed in a seat in the bottom part of the shaft is used in 5000 μ l and 10000 μ l pipettes (Fig. 3L). The filter prevents the aspirated liquid from entering into the shaft and thus from polluting the inside of the shaft and the piston. Using the filter is especially important when aspirating and dispensing large volumes of liquid.

If the filter becomes wet during liquid aspiration it should be replaced with a new one.

4 - PRE-RINSING

When pipetting liquids of higher viscosity or lower surface tension than water (e.g. sera or organic solvents), a film of liquid is formed on the inside wall of the pipette tip. This film can create an error. Since the film remains relatively constant in successive pipetting operations with the same tip, this error can be avoided by forming the film before transferring the first sample. This is done by aspirating a sample and dispensing it back into the same vessel. Since the film is already formed, all of the following samples will have better accuracy and repeatability.

This pre-rinsing operation should be repeated when the volume to be aspirated is changed or when a new tip is used.

5 - DENSE AND VISCOUS LIQUIDS

The **LAB MATE Soft** specifications of accuracy and precision are based on pipetting distilled water. The handling of liquids with physical qualities of density, viscosity and surface tension differing extremely from water may need a gravimetrically checked compensation of the volume setting. Normally the degree of error resulting from heavy or viscous liquids is negligible if the pipetting is done slowly and carefully. It is most important to give the liquids some time to follow the change of pressure by holding the pipette tip in its position for at least 2 sec. after the aspiration and the blow out stroke.

If in extreme cases this method of operation does not result in accurate values, a compensation could be achieved as follows:

Weigh the liquid pipetted when the **LAB MATE Soft** is set to the nominal value. Then calculate the set-off from the nominal value:

$$\text{Corr: val.} = 2 \times \text{nom. val.} - \frac{m}{\gamma}$$

m - weight of the sample

γ - density of liquid

Check this operation once again and correct if necessary. Note the corrected value for further pipetting the same kind of liquid.

6 - HTL PIPETTE TIPS

HTL tips are made from high performance polypropylene and their quality guarantees the precision and accuracy associated with the **LAB MATE Soft**. Strict control is maintained throughout the manufacturing process to ensure the highest quality.

The accuracy and precision figures for the **LAB MATE Soft** are only guaranteed when HTL tips are used. The use of inferior quality tips will seriously degrade the performance of the **LAB MATE Soft**.

Tips 10

These tips are used for volumes between 0.1 µl and 10 µl. They are used with the LM2 and LM10 models, which are equipped with a red pushbutton.

Tips 200

These tips are used for volumes between 2 µl and 200 µl. They are used with the LM20, LM50, LM100 and LM200 models, which are equipped with a yellow pushbutton.

Tips 300

These tips are used for volumes between 50 µl and 250 µl. They are used with the LM250 models, which are equipped with a green pushbutton.

Tips 1000

These tips are used for volumes between 100 µl and 1000 µl. They are used with the LM1000 models, which are equipped with a blue pushbutton.

Tips 5000

These tips are used for volumes between 1000 µl and 5000 µl. They are used with the LM5000 models, which are equipped with a white pushbutton.

Tips 10000

These tips are used for volumes between 1000 and 10000 µl. They are used with the LM10000 models, which are equipped with a white pushbutton.

7 - RECOMMENDATIONS

Observing the following recommendations will ensure maximal possible accuracy and precision of liquid sampling.

- Make sure to operate the **LAB MATE Soft** slowly and smoothly.
- The depth of immersion in the sample liquid should be the minimum necessary and should remain constant during aspiration.
- The **LAB MATE Soft** should be held in a vertical position.
- Change the tip when volume setting is changed or when a different liquid is to be aspirated.
- Change the tip if a droplet remains on the end of the tip from the previous pipetting operation.
- Each new tip should be pre-rinsed with the liquid to be pipetted.
- Liquid should never enter the **LAB MATE Soft** shaft. To prevent this:
 - Press and release the pushbutton slowly and smoothly.
 - Never turn the pipette upside down.
 - Never lay the pipette on its side when there is liquid in the tip.
- Never force the volume setting beyond its recommended limits.

- When pipetting liquids with temperatures different from the ambient temperature, it is recommended to pre-rinse the tip several times before use.
- Do not pipette liquids with temperatures above 70°C.
- When pipetting acids or corrosive solutions which emit vapours, it is recommended to disassemble the shaft and to rinse the piston and seal with distilled water after finishing the pipetting operation.

8 - RECALIBRATION

HTL pipettes are calibrated by gravimetric method, using **HTL** tips and distilled water, at the temperature $20 \pm 1^\circ\text{C}$, according to EN ISO 8655 standard.

If during pipette operation you find that the accuracy error (the difference between the real aspirated volume and the preset volume) exceeds the permissible value given in the table in section 1, the pipette recalibration procedure should be carried out.

Before starting the recalibration it is necessary to check whether the following requirements have been fulfilled during error determination:

- the ambient temperature, and the temperature of the pipette, tips and water was identical
- the density of the liquid used is close to that of distilled water
- the balance with appropriate sensitivity has been used.

Volume checked [μl]	Balance sensitivity [mg]
0.1 - 10	≤ 0.001
10 - 100	≤ 0.01
> 100	≤ 0.1

- mg/ μl conversion factor has been taken into account
- the requirements given in sections 3 and 7 have been fulfilled

If the above conditions are satisfied and the accuracy error for selected volume given in section 1 exceeds the permissible value, the pipette recalibration procedure should be carried out.

The recalibration can be performed within one full turn of the key to the right or to the left only.

Recalibration conditions:

- Ambient temperature and the temperature of the pipette, tips and liquid should be within the range 20-25°C and stabilised during weighing within $\pm 0.5^\circ\text{C}$

- Measurements should be conducted using distilled water
- Balance sensitivity should be suitable for the volume to be controlled

Recalibration procedure:

- Set the dose volume depending on the pipette volume according to the following table:

Model	Range of the pipette volumes [μl]	Preset volume [μl]	Permissible volumes [μl]	Volume change ΔV for full turn of the calibration key [μl] (24 increments)
LM2	0.1 - 2	0.2	0.176 - 0.224	0.06
LM10	0.5 - 10	0.5	0.48 - 0.52	0.33
LM20	2 - 20	2	1.94 - 2.06	0.63
LM50	5 - 50	5	4.875 - 5.125	2.50
LM100	10 - 100	10	9.84 - 10.16	2.50
LM200	20 - 200	20	19.76 - 20.24	6.30
LM250	50 - 250	50	49.5 - 50.5	6.30
LM1000	100 - 1000	100	98.4 - 101.6	25.00
LM5000	1000 - 5000	1000	994 - 1006	125.00
LM10000	1000 - 10000	1000	975 - 1025	250.00

- Perform 5 aspirations, weigh each one and calculate the average value of the aspirations
- Calculate average aspirated volume in μl multiplying the average aspiration amount [mg] by the distilled water density coefficient [$\mu\text{l}/\text{mg}$], which depends on temperature and pressure according to the following table:

Temperature [$^\circ\text{C}$]	Pressure [kPa]		
	95.0	101.3	105.0
20	1.0028	1.0029	1.0029
21	1.0030	1.0031	1.0031
22	1.0032	1.0033	1.0033
23	1.0034	1.0035	1.0036
24	1.0037	1.0038	1.0038
25	1.0039	1.0040	1.0040

If the average aspirated volume exceeds the permissible value, the following should be done:

- Remove the pipetting pushbutton, (Fig. 4A),

Warning: The pipetting pushbutton consists of 2 parts: the knob (Fig. 1A2) and the pushbutton (Fig. 1A1). After removal of the pushbutton, both parts are separated.

- Holding the volume setting knob to protect it against rotation, insert the calibration key into the cuts of the calibration screw, (Fig. 4B),
- Turn the key clockwise to reduce the aspirated volume, or counter-clockwise to increase the volume, (Fig. 4C). One full turn of the calibration key changes the pipette aspiration volume by the amount given in the table.
- Take out the key and fix the pipetting pushbutton (Fig. 4D). The pipetting pushbutton should be fixed by placing the knob on the arbor first (Fig. 1A2) and then the pushbutton (Fig. 1A1).

Determine the average aspirated volume. The average volume should be within the permissible range given in the table. If the volume exceeds the values stated, the recalibration procedure should be repeated.

In case of pipetting the liquids with physical properties considerably different from those of water, follow the rules given in section 5.

More information on calibration procedure can be found on www.htl.com.pl

9 - TROUBLESHOOTING

If you notice an improper pipette operation identify the cause and eliminate the fault. Doing this, follow the instruction in the sequence provided. Replacement of elements into new ones may be required only exceptionally, and should not occur under normal pipette use.

Droplets of liquid remain in the pipette tip.

- The tip is emptied too fast.
Decrease the speed of pressing the pipette pushbutton.
- The tip wettability has increased due to extensive use.
Replace the tip with a new one.

Droplets of air appear in the liquid aspirated into the tip.

- The pipette tip immersion is too shallow.
Immerse the tip deeper according to the instructions.
- The pipette tip is incorrectly pressed onto the pipette shaft.
Press the pipette firmly.
- The tip is damaged or worn out due to extensive use.
Replace the tip with a new one.

The pipette incorrectly aspirates the liquid or liquid drops out from the tip.

- The pipette tip is incorrectly pressed onto the pipette shaft.
Press the pipette tip firmly.
- The shaft nut is loose (Fig. 3F).
Tighten the shaft nut.
- The sealing surface of the shaft is cracked or scored.
Remove the tip ejector. Unscrew the shaft nut, inspect the shaft and the piston assembly. Replace the damaged parts (see Section 11. When reassembling the pipette, the nut should be hand tightened. In the models LM2, LM10 and LM20, the damage of the shaft may also cause a damage of the piston assembly. Replace the damaged parts (see Section 11). When reassembling the pipette, the nut should be hand tightened.
To remove the tip ejector in models LM5000 and LM10000, remove the ejector pushbutton (Fig. 3N) and using a screwdriver unscrew the tip ejector by turning the screwdriver counter-clockwise.
- Damage of the piston or seal due to prolonged use with the aggressive liquids.
Disassemble the pipette as described above. Replace the piston, seal and O-ring (see Section 11). Rinse the inside of the shaft in distilled water and dry. Lubricate the seal and O-ring with the lubricant, that has been included with each pipette. The replacement of the piston requires conducting of calibration procedure.
Note: The parts of LM2 and LM10, pipette should be lubricated evenly with the minimum amount of lubricant.
- The pipette is reassembled improperly.
Disassemble the pipette and reassemble it, observing the proper sequence of steps (Fig. 3).
- No lubricant on the sealing elements.
Remove the tip ejector. Unscrew the shaft nut, remove the shaft, piston assembly, seal and O-ring. Rinse the removed parts in distilled water and dry thoroughly. Lightly lubricate the inside surfaces of the seal and the O-ring with the attached lubricant. Reassemble the pipette in the reverse order.
- Contamination of the inside of the pipette caused by extensive aspiration of chemically aggressive liquids or because liquid got inside the pipette.

Remove the tip ejector. Unscrew the nut, remove the shaft, piston assembly, seal and O-ring. Rinse the removed parts with distilled water and dry thoroughly. Lightly lubricate the inside surfaces of the seal and the O-ring with the lubricant. Reassemble the pipette in the reverse order.

Note: The shaft, shaft nut, ejector, piston assembly, seal and O-ring may be autoclaved at a temperature of 121°C for 20 minutes at pressure 1 bar.

The shaft of the 5000 and 10000 models should be autoclaved without the filter.

The handle and the outside of the pipette may be cleaned using a cloth damped in isopropanol.

If the pipette malfunction persists after carrying out the above steps, send the pipette to your HTL service representative.

Before returning the pipette, make sure that it is free from any chemical, radioactive or microbiological contamination that might pose any danger during transportation and repairing. Clean the pipette as thoroughly as possible.

10 - PIPETTE KIT

The pipettes are delivered in the kits including:

- Pipette
- Instruction manual
- Calibration key
- Pipette stand
- Ejector regulation spacers
(for pipette models LM2 - LM1000)
- Ejector cap (for pipette models LM2, LM10, LM5000, LM10000)
- Tips
- Identification labels
- Filters (for pipette models LM5000, LM10000)
- Lubricant

The stand assembly diagram is shown in Fig. 5.

11 - SPARE PARTS

All the spare parts indicated in Fig. 3, 4, 6 that is:

- A: Pushbutton** **A1: Pushbutton** **A2: Knob**
- B: Calibration knob**
- C: Shaft**
- D: Ejector**
- F: Shaft nut**
- G: Piston assembly**
- H: Spacer**
- I: O-ring**
- J: Seal**
- K: Calibration key**
- L: Filter**
- M: Ejector cap**
- N: Ejector pushbutton**

can be ordered from your HTL representative (type of pipette and name of the part for this pipette should be specified).

Warning: The replacement of the piston requires conducting of calibration procedure according to section 8.

All rights reserved. Product described in this manual is subject to availability and technical modification. Errors excepted.

PZ HTL S.A. reserves the right to improve, enhance or otherwise modify its products without prior notification.

© 2010 PZ HTL S.A.

LAB MATE Soft-Pipetten werden in 10 Modellen ausgeführt, die den Volumenbereich von 0.1 µl bis 10000 µl abdecken.

Modell	Einstellbereich [µl]
LM2	0.1 - 2
LM10	0.5 - 10
LM20	2 - 20
LM50	5 - 50
LM100	10 - 100
LM200	20 - 200
LM250	50 - 250
LM1000	100 - 1000
LM5000	1000 - 5000
LM10000	1000 - 10000

LM2, LM10	Messung und Dosierung von Mikrovolumen, bei Anwendungen der DNS-Sequenzierung und Enzymbestimmung.
LM20, LM50, LM100, LM200, LM250, LM1000	Messung und Dosierung von wässrigen Lösungen, Säuren und Basen.
LM5000, LM10000	Messung und Dosierung großer Volumen.

Die LAB MATE Soft wird mit Einweg-Pipettenspitzen aus Polypropylen benutzt, (Abb. 1E).

Die Flüssigkeit wird in die eingesetzten Pipettenspitzen aufgenommen.

ACHTUNG: Nur ein einmaliger Gebrauch von Pipettenspitzen garantiert die Sicherheit und schließt die Kontamination zwischen den Proben aus.

Die LAB MATE Soft verfügt über einen Spitzenabwerfer. Für Arbeiten in engen Röhrchen kann dieser leicht abgezogen werden.

Einstellung der Spitzenabwerferlänge

- in Pipetten eines Volumens von 2-1000 µl (Abb. 6A).

Den Spitzenabwerfer kann man um +1 bzw. + 2 mm mit mitgelieferten Einstellungshülsen "H" verlängern. Vom Hersteller wurde die Hülse "HO" angebracht. Die Hülsen unterscheiden sich je nach Länge in ihrer Außenform, und so sind einfach zu identifizieren.

- in Pipetten eines Volumens von 5000 und 10000 µl (Abb. 6B).

Die Regelung der Länge des Abwerfers erfolgt durch Ein- bzw. Herausdrehen des Abwerferschaftes mittels Schraubendreher. Zwecks Verlängerung des Abwerfers

INHALT

- 1 - ALLGEMEINES
- 2 - EINSTELLEN DES VOLUMENS
- 3 - PIPETTIEREN
- 4 - VORSPÜLEN
- 5 - DICHTE UND VISKOSE FLÜSSIGKEITEN
- 6 - HTL-PIPETTENSPITZEN
- 7 - BENUTZUNGSHINWEISE
- 8 - REKALIBRIERUNG
- 9 - BESEITIGUNG KLEINER MÄNGEL
- 10 - KOMPLETTIERUNG
- 11 - ERSATZTEILE

1 - ALLGEMEINES

Die LAB MATE Soft ist ein präzises Volumenmeß-gerät zur Dosierung und zum Transfer von Flüssigkeiten. Je nach Modell können Volumina von 0,1 µl bis 10000 µl genau dosiert werden.

LAB MATE Soft Pipetten besitzen eine digitale Volumen-anzeige. Das eingestellte Volumen ist auf einer im Handgriff befindlichen Anzeige sichtbar. Die Volumeneinstellung erfolgt mit Hilfe der Schraube im Pipettierdruckknopf (Abb. 1A2) oder durch Drehung der schwarzen gerändelten Einstellschraube (Abb. 1B) in der entsprechenden Richtung. Der Volumenbereich wird auf dem Pipettier-druckknopf (Abb. 1A1) angegeben.

ist der Schraubendreher entgegen dem Uhrzeigersinn zu drehen, dagegen im Uhrzeigersinn zwecks Verkürzung der Abwerferlänge. Der Regelbereich beträgt 5 mm.

Wenn die oben beschriebene Methode keinen Erfolg zeigt, oder die Öffnung des Abwerfers zu groß ist, setzen Sie die Abwerferkappe "M" auf den Abwerfer auf, (Abb. 6C).

- und Pipetten eines Volumens 2 - 10 μl (Abb. 6D).

Die 2 μl - 10 μl Pipetten können die Verwendung eines Abwerfer-Aufsatzes "M" erfordern, damit von verschiedenen Herstellern stammende Spitzen effizient ausgeworfen werden können. Der mitgelieferte Aufsatz ist auf den Schaft aufzustecken und auf das Abwerfer-Endstück so aufzuschieben, dass er dieses umfasst.

Die **LAB MATE Soft** ist ein Präzisionsinstrument, dessen Spezifikationen mit den zugehörigen **HTL**-Pipettenspitzen ermittelt worden sind. Die in der nachfolgenden Tabelle angegebenen Werte für Genauigkeit und Präzision können deshalb nur bei der Verwendung von original-**HTL**-Pipettenspitzen garantiert werden.

Modell	Bestell-Nr	Volumen [μl]	Genauigkeit [%]	Präzision [%]	Pipettenspitze μl	Schafffarbe
LM2	4811	0.2	± 12.0	± 6.0	10 μl	rot
		1.0	± 2.7	± 1.3		
LM10	4812	Max 2.0	± 1.5	± 0.7	10 μl	rot
		Min 0.5	± 4.0	± 2.8		
LM10	4812	5.0	± 1.0	± 0.6	10 μl	rot
		Max 10.0	± 0.5	± 0.4		
LM20	4813	2	± 3.0	± 1.5	200 μl	gelb
		10	± 1.0	± 0.5		
LM20	4813	Max 20	± 0.8	± 0.3	200 μl	gelb
		Min 5	± 2.5	± 2.0		
LM50	4817	25	± 1.0	± 0.6	200 μl	gelb
		Max 50	± 0.8	± 0.4		
LM100	4814	10	± 1.6	± 0.80	200 μl	gelb
		50	± 0.8	± 0.24		
LM100	4814	Max 100	± 0.8	± 0.20	200 μl	gelb
		Min 20	± 1.2	± 0.60		
LM200	4815	100	± 0.8	± 0.25	300 μl	grün
		Max 200	± 0.6	± 0.20		
LM250	4810	50	± 1.0	± 0.4	300 μl	grün
		125	± 0.8	± 0.3		
LM250	4810	Max 250	± 0.6	± 0.3	300 μl	grün
		Min 100	± 1.6	± 0.40		
LM1000	4816	500	± 0.7	± 0.20	1000 μl	blau
		Max 1000	± 0.6	± 0.15		

LM5000	4818	Min 1000	± 0.6	± 0.25	5000 μl	weiss
		2500	± 0.6	± 0.20		
LM5000	4818	Max 5000	± 0.5	± 0.15	5000 μl	weiss
		Min 1000	± 2.5	± 0.6		
LM10000	4819	5000	± 0.8	± 0.3	10000 μl	weiss
		Max 10000	± 0.5	± 0.2		

Diese Spezifikationen mit den angegebenen Toleranzen werden bei Anwendung einer gravimetrischen Kontrollmethode erreicht. Dabei wird destilliertes Wasser bei einer Temperatur von 19°C bis 21°C als Probe eingesetzt. Die Pipette, die Spitzen und die Umgebung müssen bei gleicher Temperatur stabilisiert sein. Es müssen mindestens 10 Messungen ausgeführt werden. Die angegebenen Werte umfassen alle Einflußmöglichkeiten durch Handwärme und Spitzenwechsel.

Diese Spezifikationen wurden bei Verwendung von Original **HTL**-Spitzen erreicht.

Kontrollvorschrift: Der gravimetrische Test gemäß der Norm EN ISO 8655.

2 - EINSTELLEN DES VOLUMENS

Das Volumen wird auf der dreistelligen Anzeige von oben nach unten abgelesen. Auf der untersten Anzeige befindet sich zusätzlich eine Skala, die die Volumeneinstellung im Bereich des Teilungswertes ermöglicht.

Beispiele der Kennzeichnungen der schwarzen und roten Ziffern:

Pipetten **LM2**
rote Ziffern unten = 1/100 μl
Skalenteilung = 0.002 μl

LM2
1
2
5

1.25 μl

Pipetten **LM10, LM20**
rote Ziffern unten = 1/10 μl
Skalenteilung = 0.02 μl

LM10	LM20
0	1
7	2
5	5

7.5 μl 12.50 μl

Pipetten **LM50, LM100, LM200, LM250**:
nur schwarze Ziffern = μl
Skalenteilung = 0.2 μl

LM50, LM100	LM200, LM250
0	1
7	2
5	5

75 μl 125 μl

Pipetten LM1000, LM5000:

rote Ziffern oben = ml

Skalenteilung =

LM1000		LM5000
0	rot	1
7		2
5		5
0.75 ml		1.25 ml
2 μ l		10 μ l

Pipetten LM10000:

Rote Ziffern oben = ml

Skalenteil = 20 μ l

LM10000
rot 0
rot 7
5
7.5 ml

Das Pipettenvolumen wird mit Hilfe des Rädchens im Pipettierknopf (Abb. 1A2) oder des Volumeneinstellrädchens (Abb. 1B) eingestellt. Die höchste Genauigkeit wird erreicht, wenn von einem höheren Volumenaugeschritten und die Anzeige des Zählers so lange verringert wird, bis der gewünschte Wert erreicht ist.

- Wenn das gewünschte Volumen geringer ist als das auf dem Zähler eingestellte, muss die Anzeige des Zählers durch das Drehen des Rädchens im Pipettierknopf (Abb. 1A2) oder des Volumeneinstellrädchens (Abb. 1B) auf die gewünschte Größe verringert werden. Vor dem Erreichen der gewünschten Größe muss man die Drehgeschwindigkeit verringern und darauf achten, dass die einzustellende Größe nicht unterschritten wird.
- Wenn das gewünschte Volumen größer ist als das auf dem Zähler eingestellte, muss die Anzeige des Zählers durch das Drehen des Rädchens im Pipettierdruckknopf oder des Volumeneinstellrädchens auf einen Wert erhöht werden, der das gewünschte Volumen um ca. 1/3 Umdrehung der untersten Trommel überschreitet. Anschließend wird die Einstellung durch langsames Drehen auf die gewünschte Größe herabgesetzt, wobei darauf geachtet werden muss, dass sie nicht unterschritten wird.

Beim Unterschreiten der gewünschten Größe muss der Einstellvorgang wiederholt werden. Das gewünschte Volumen muss immer von einem höheren Volumen ausgehend durch die Verringerung der Anzeige des Zählers eingestellt werden.

3 - PIPETTIEREN

Die passende Spitze (s. Abschnitt 6) auf den Schaft der Pipette aufstecken. Die Spitze dabei mit leichtem Drehen fest andrücken, um absolute Dichtheit zu gewährleisten.

Achtung: Niemals Flüssigkeiten mit einem LAB MATE Soft ohne Spitze aufnehmen.

Ansaugen

- Den Druckknopf bis zum ersten Druckpunkt eindrücken, (Abb. 2A).
- Die Pipette senkrecht halten und die Spitze in die Probeflüssigkeit eintauchen. Die Tiefe, bis zu der die Spitze in die Probeflüssigkeit eingetaucht wird, hängt vom Modell ab:

Modell	Eintauchtiefe (mm)
LM2	≤ 1
LM10	≤ 1
LM20, LM50, LM100	2 ÷ 3
LM200, LM250, LM1000	2 ÷ 3
LM5000	3 ÷ 6
LM10000	5 ÷ 7

- Den Druckknopf langsam loslassen, um die Probe anzusaugen, (Abb. 2B).
- Eine Sekunde lang warten und dann die Spitze aus der Flüssigkeit herausnehmen.
- Eventuell auf der Oberfläche der Pipettenspitze vorhandene Flüssigkeit mit einem Tuch abwischen. Bei geringerer Eintauchtiefe der Pipettenspitze als empfohlen oder bei einem zu schnellen Loslassen des Pipettierknopfes kann Luft aufgenommen werden.

Die Öffnung der Spitze nicht berühren.

Ausstoßen

- Das Ende der Spitze in einem Winkel von 10 bis 40 Grad gegen die Innenwand des Gefäßes halten.
- Den Druckknopf langsam bis zum ersten Druckpunkt herunterdrücken, (Abb. 2C).
- Eine Sekunde lang warten.
- Den Druckknopf bis zum zweiten Druckpunkt herunterdrücken, um restliche Flüssigkeit auszustoßen, (Abb. 2D).
- Die Pipette mit ganz gedrücktem Druckknopf herausnehmen, in dem die Spitze an der Innenwand des

Gefäßes entlang gezogen wird. Den Druckknopf loslassen, (Abb. 2E).

- Die Spitze durch Drücken des Spitzenabwerfers abwerfen, (Abb. 2F).

Achtung: Die Spitze muß gewechselt werden, wenn eine andere Probe pipettiert oder die Volumeneinstellung geändert wird.

Filter

In den Pipetten 5000 µl und 10000 µl wurde ein austauschbares Filter angewandt, welches in der Öffnung im unteren Schaftteil montiert wurde (Abb. 3L). Dieses Filter stellt sicher, dass die entnommene Flüssigkeit nicht in den Schaft gelangt. Dadurch wird gewährleistet, dass Schaft und Tauchkolben von innen nicht verunreinigt werden. Wesentliche Bedeutung hat der Einsatz eines Filters bei der Entnahme und Ausgabe von Flüssigkeit eines großen Volumens. Es muss ein neues Filter eingesetzt werden, falls es bei der Entnahme von Flüssigkeit befeuchtet werden sollte.

4 - VORSPÜLEN

Beim Dosieren von Flüssigkeiten, die eine höhere Viskosität oder eine niedrigere Oberflächenspannung haben als Wasser (z.B. Serum oder org. Lösungsmittel), bildet sich ein Flüssigkeitsfilm auf der Innenseite der Pipettenspitze. Da diese Benetzung bei aufeinander folgenden Pipettierungen mit derselben Spitze relativ konstant bleibt, kann dieser Fehler dadurch vermieden werden, daß die Benetzung vor Aufgabe der ersten Probe erfolgt. Dazu wird eine Probe angesaugt und wieder in dasselbe Gefäß ausgestoßen. Da sich der Film bereits gebildet hat, werden alle folgenden Proben eine höhere Genauigkeit und Wiederholbarkeit aufweisen.

Dieses Vorspülen sollte immer dann wiederholt werden, wenn das anzusaugende Volumen geändert oder eine neue Spitze benutzt wird.

5 - DICHTe UND VISKOSE FLÜSSIGKEITEN

Die für **LAB MATE Soft** angegebenen Werte für Genauigkeit und Präzision beziehen sich auf destilliertes Wasser. Für Flüssigkeiten, die sich in ihren physikalischen Eigenschaften wie Dichte, Viskosität und Oberflächenspannung erheblich vom Wasser unterscheiden,

muß gegebenenfalls eine Kompensation gravimetrisch ermittelt werden.

Im Normalfall genügt es allerdings, wenn man etwas langsamer arbeitet und sowohl nach dem Ansaugen als auch nach dem Auspipettieren mindestens 2 Sekunden lang wartet, bevor die Pipettenspitze bewegt wird, damit die Flüssigkeit Zeit hat, dem Druckunterschied zu folgen.

In Ausnahmefällen, soweit diese Vorgehensweise nicht das Erzielen von genauer Ergebnissen bei der Verwendung der Pipette gewährleistet:

- mit dem Drehknopf das anzusaugende Volumen an der Pipette einstellen und die Flüssigkeit aufnehmen
- das Gewicht des aufgenommenen Flüssigkeitsvolumens messen
- anschließend den Wert einer neuen Einstellung nach der folgenden Formel ermitteln

$$\text{Neueinstellung} = 2 \times \text{Nennwert (aufzunehmendes Volumen)} - \frac{m}{\gamma}$$

m - Masse der beim ersten Pipettieren aufgenommenen Flüssigkeit

γ - Dichte der aufzunehmenden Flüssigkeit

Dieses Schema ist zur Vermeidung von möglichen Fehlern zu wiederholen. Den Wert der Korrektur, also der Differenz zwischen dem an der Pipette eingestellten Volumen und dem tatsächlich aufgenommenen Wert kann man notieren, um ihn bei späterem Pipettieren derselben Flüssigkeit zu verwenden.

6 - HTL-PIPETTENSPIZTEN

HTL-Spitzen werden aus hochwertigem Polypropylen hergestellt. Ihre Qualität garantiert zusammen mit der **LAB MATE Soft** Genauigkeit und Präzision. Strenge Kontrollen während des gesamten Herstellungsprozesses gewährleisten höchste Qualität. Die Werte für Genauigkeit und Präzision für die **LAB MATE Soft** werden nur garantiert, wenn er mit **HTL**-Spitzen benutzt wird. Die Verwendung von Spitzen minderer Qualität beeinträchtigt erheblich die Qualität der Pipettierungen.

Spitzen 10

Spitzen zur Entnahme von Flüssigkeit eines Volumens von 2 µl bis 10 µl. Geeignet für Pipetten Typ LM2 und LM10 mit einem roten Pipettierdruckknopf ausgestattet sind.

Spitzen 200

Spitzen zur Entnahme von Flüssigkeit eines Volumens von 2 μl bis 200 μl . Geeignet für Pipetten Typ LM20, LM50, LM100 und LM200 mit einem gelben Pipettierdruckknopf ausgestattet sind.

Spitzen 300

Spitzen zur Entnahme von Flüssigkeit eines Volumens von 50 μl und 250 μl . Geeignet für Pipetten Typ LM250 mit einem grünen Pipettierdruckknopf ausgestattet sind.

Spitzen 1000

Spitzen zur Entnahme von Flüssigkeit eines Volumens von 100 μl und 1000 μl . Geeignet für Pipetten Typ LM1000 mit einem blauem Pipettierdruckknopf ausgestattet sind.

Spitzen 5000

Spitzen zur Entnahme von Flüssigkeit eines Volumens von 1000 μl und 5000 μl . Geeignet für Pipetten Typ LM5000 mit einem weißen Pipettierdruckknopf ausgestattet sind.

Spitzen 10000

Spitzen zur Entnahme von Flüssigkeit eines Volumens von 1000 bis 10000 μl . Geeignet für Pipetten Typ LM10000 mit einem weißen Pipettierdruckknopf ausgestattet sind.

7 - BENUTZUNGSHINWEISE

Die folgenden Benutzungshinweise gewährleisten höchste Genauigkeit und Präzision der Meßwerte der **LAB MATE Soft**:

- Sicherstellen, daß mit der **LAB MATE Soft** behutsam gearbeitet wird.
- Die Tiefe des Eintauchens in die Probenflüssigkeit sollte so gering wie möglich sein und während des Ansaugens konstant bleiben.
- Die **LAB MATE Soft** senkrecht halten.
- Die Spitze wechseln, wenn die Volumeneinstellung geändert wird oder wenn eine andere Flüssigkeit pipettiert werden soll.
- Die Spitze wechseln, wenn ein Tropfen von der vorherigen Pipettierung am Spitzeneck hängen bleibt.
- Jede neue Spitze mit der zu pipettierenden Flüssigkeit vorspülen.

- Es darf niemals Flüssigkeit in den Pipettenschaft eintreten. Um das zu vermeiden:
 - den Druckknopf behutsam herunterdrücken und loslassen,
 - die Pipette stets senkrecht halten,
 - die Pipette niemals hinlegen, wenn sich Flüssigkeit in der Spitze befindet.
- Das Mikrometer niemals überdrehen.
- Vor dem Pipettieren von Flüssigkeiten mit anderen Temperaturen als die Umgebungstemperatur die Spitze mehrmals vorspülen.
- Keine Flüssigkeiten mit Temperaturen über 70°C pipettieren.
- Nach der Pipettierung von Säuren oder ätzenden Flüssigkeiten sollte der Schaft losgeschraubt und Kolben und Dichtung mit destilliertem Wasser gespült werden.

8 - REKALIBRIERUNG

HTL-Pipetten sind nach dem gravimetrischen Verfahren kalibriert, unter Einsatz von **HTL**-Spitzen und destilliertem Wasser, bei einer Temperatur von $20 \pm 1^\circ\text{C}$ gemäß der Norm EN ISO 8655.

Falls bei der Benutzung der Pipette festgestellt wird, dass der Genauigkeitsfehler (Differenz zwischen dem Istwert des entnommenen Volumens und dem Sollwert) den zulässigen Wert überschreitet, der in der Tabelle in Kapitel 1 angegeben wird, ist eine Rekalibrierung der Pipette vorzunehmen.

Vor dem Beginn der Rekalibrierung ist zu prüfen, ob bei der Bestimmung des Fehlers die unten stehenden Bedingungen erfüllt wurden:

- Die Temperatur der Umgebung, der Pipette, der Spitzen und des Wasser war identisch.
- Die Dichte der verwendeten Flüssigkeit hatte einen Wert, der dem von destilliertem Wasser nahe lag.
- Es wurde eine Waage von entsprechender Empfindlichkeit eingesetzt.

Geprüftes Volumen [μl]	Empfindlichkeit der Waage [mg]
0.1 - 10	≤ 0.001
10 - 100	≤ 0.01
> 100	≤ 0.1

- Der Umrechnungsfaktor mg/ μ l wurde berücksichtigt.
- Die in den Kapiteln 3 und 7 angeführten Anforderungen wurden erfüllt. Falls die obigen Bedingungen erfüllt wurden, und der Genauigkeitsfehler für das ausgewählte Volumen, angegeben in Kapitel 1, den zulässigen Wert überschreitet, ist eine Rekalibrierung der Pipette vorzunehmen.

Die Rekalibrierung kann nur im Bereich jeweils einer vollen Umdrehung des Schlüssels nach links oder rechts ausgeführt werden.

Bedingungen einer Rekalibrierung:

- Die Temperatur der Umgebung, der Pipette, der Spitze und der Flüssigkeit soll in den Grenzen von 20 - 25°C liegen und beim Wägen im Bereich $\pm 0.5^\circ\text{C}$ stabilisiert werden.
- Bei den Messungen ist destilliertes Wasser zu verwenden.
- Die Empfindlichkeit der Waage muß dem geprüften Volumen entsprechen.

Verfahrensweise bei der Rekalibrierung:

- Dosisvolumen je nach dem Volumen der Pipette gemäß der folgenden Tabelle einstellen.

Modell	Volumenbereich der Pipette [μ l]	Eingestelltes Volumen [μ l]	Zulässige Werte [μ l]	Volumenänderung bei voller Umdrehung des Kalibrierschlüssels [μ l] (24 Skalenteilungen)
LM2	0.1 - 2	0.2	0.176 - 0.224	0.06
LM10	0.5 - 10	0.5	0.48 - 0.52	0.33
LM20	2 - 20	2	1.94 - 2.06	0.63
LM50	5 - 50	5	4.875 - 5.125	2.50
LM100	10 - 100	10	9.84 - 10.16	2.50
LM200	20 - 200	20	19.76 - 20.24	6.30
LM250	50 - 250	50	49.5 - 50.5	6.30
LM1000	100 - 1000	100	98.4 - 101.6	25.00
LM5000	1000 - 5000	1000	994 - 1006	125.00
LM10000	1000 - 10000	1000	975 - 1025	250.00

- Fünf Entnahmen vornehmen, diese jedesmal wägen und den Mittelwert dieser Entnahmen berechnen.
- Das mittlere entnommene Volumen in μ l berechnen, indem der Mittelwert der Entnahmen in [mg] durch den temperatur- und druckabhängigen Dichtekoeffizienten des destilliertem Wasser [μ l/mg] gemäß der folgenden Tabelle multipliziert wird.

Temperatur [$^\circ\text{C}$]	Druck [kPa]		
	95.0	101.3	105.0
20	1.0028	1.0029	1.0029
21	1.0030	1.0031	1.0031
22	1.0032	1.0033	1.0033
23	1.0034	1.0035	1.0036
24	1.0037	1.0038	1.0038
25	1.0039	1.0040	1.0040

Wenn das mittlere entnommene Volumen über den zulässigen Werten liegt, ist folgendermaßen vorzugehen:

- Den Pipettierdruckknopf entfernen, (Abb. 4A).
- **Hinweis: Der Pipettierdruckknopf besteht aus zwei Teilen: einer Schraube (Abb. 1A2) und einem Druckknopf (Abb. 1A1). Nach der Abnahme des Druckknopfes werden beide Teile voneinander getrennt.**
- Die Einstellschraube so halten, dass sie vor einer Umdrehung gesichert ist, und den Kalibrierschlüssel in die Kanäle der Kalibrierschraube einstecken. (Abb. 4B).
- Zwecks Verringerung des entnommenen Volumens den Schlüssel im Uhrzeigersinn bzw. entgegen dem Uhrzeigersinn zwecks Erhöhung des entnommenen Volumens drehen, (Abb 4C),
Je eine volle Umdrehung des Kalibrierschlüssels ändert das zu entnehmende Volumen der Pipette um die in der Tabelle angegebenen Werte,
- Den Kalibrierschlüssel entfernen und den Pipettierdruckknopf (Abb. 4D) aufsetzen. Der Pipettierdruckknopf wird eingebaut, indem man zuerst die Schraube (Abb. 1A2) und dann den Druckknopf (Abb. 1A1) auf der Druckstange befestigt.

Mittleres entnommenes Volumen bestimmen. Das mittlere Volumen soll im Bereich der zulässigen Werte liegen, die in der Tabelle angegeben sind. Wenn dieses Volumen die angegebenen Werte überschreitet, ist die Rekalibrierung zu wiederholen.

Beim Pipettieren von Flüssigkeiten, deren physikalische Eigenschaften sich wesentlich von den Eigenschaften des Wassers unterscheiden, ist gemäß Kapitel 5 vorzugehen.

Mehr Informationen über die Kalibrierung sind der Seite www.htl.com.pl zu entnehmen.

9 - BESEITIGUNG KLEINER MÄNGEL

Wenn die Pipette fehlerhaft arbeitet, muss die Ursache geprüft und der Fehler beseitigt werden. Bei der Beseitigung des Fehlers muss man entsprechend der in der Bedienungsanleitung angegebenen Reihenfolge vorgehen. Der Austausch der Teile soll als äußerste Notwendigkeit angesehen werden, denn bei einem sachgemäßen Gebrauch treten solche Mängel nicht auf.

In der Pipettenspitze verbleiben Flüssigkeitstropfen

- Zu schnelle Entleerung der Pipettenspitze
Die Geschwindigkeit des Drückens auf den Pipettierdruckknopf verlangsamen
- Erhöhte Benetzbarkeit der Pipettenspitze, verursacht durch häufigen Gebrauch
Die Pipettenspitze gegen eine neue austauschen

In der Flüssigkeit, die in die Pipettenspitze aufgenommen wurde, bilden sich Luftbläschen

- Zu geringe Eintauchtiefe der Pipettenspitze
Die Pipettenspitze tiefer eintauchen, gemäß der Bedienungsanleitung
- Zu schnelle Flüssigkeitsentnahme
Langsamer die Flüssigkeit entnehmen
- Die Pipettenspitze sitzt zu locker auf dem Pipettenschaft
Die Pipettenspitze fester auf den Schaft drücken
- Die Pipettenspitze ist beschädigt oder wurde zu häufig gebraucht
Die Pipettenspitze gegen eine neue austauschen

Die Pipette entnimmt fehlerhaft die Flüssigkeit oder die Flüssigkeit tropft aus der Pipettenspitze

- Die Pipettenspitze sitzt zu locker auf dem Pipettenschaft.
Die Pipettenspitze stärker auf den Schaft drücken.
- Die Rändelmutter ist lose (Abb 3F).
Die Rändelmutter anziehen.
- Brüche oder Risse auf der Dichtungsfläche des Schaftes
Den Spitzenabwerfer abnehmen, die Rändelmutter lösen, Schaft und Kolbeneinheit prüfen. Die beschädigten Teile austauschen (s. Abschnitt 11), die Pipette durch Festschrauben der Mutter montieren. Bei den Pipetten LM2, LM10 und LM20 kann ein defekter Schaft die Beschädigung der Kolbeneinheit verursachen. Die defekten Teile austauschen (s. Abschnitt 11), die

Pipette wieder zusammensetzen und die Rändelmutter fest anziehen.

Um den Abwerfer der Pipetten LM5000 und LM10000 auszubauen, muss der Abwerferdruckknopf (Abb 3N) abgenommen werden. Anschließend wird mit Hilfe eines Schraubenziehers der Abwerfer gelöst, in dem man den Schraubenzieher entgegen der Uhrzeigerichtung dreht.

- Beschädigung des Kolbens oder der Pipettendichtung, verursacht durch häufige Entnahme von aggressiven Flüssigkeiten.

Die Pipette wie oben angegeben auseinandernehmen. Kolbeneinheit, Dichtung und O-Ring austauschen (s. Abschnitt 11). Die Innenfläche des Schaftes mit destilliertem Wasser reinigen. Die Dichtung und den O-Ring mit dem beigefügten Schmierfett behandeln.

Der Austausch des Kolbens erfordert eine erneute Kalibrierung.

Bei den Pipetten LM2, LM10 muss darauf geachtet werden, dass die zu fettenden Teile gleichmäßig mit einer minimalen Schmierfettmenge bedeckt werden.

- Unsachgemäßes Zusammensetzen der Pipette
Die Pipette auseinandernehmen und erneut zusammensetzen, wobei die vorgeschriebene Reihenfolge der Montage eingehalten werden muss. (Abb 3).
- Auf den Dichtungselementen befindet sich kein Schmierfett

Den Abwerfer abnehmen. Die Rändelmutter lösen. Schaft, Kolbeneinheit und O-Ring herausnehmen. Die entnommenen Teile mit destilliertem Wasser reinigen und trocknen. Die Innenflächen der Dichtung und des O-Rings leicht mit dem beigefügten Schmierfett behandeln. Die Pipette in umgekehrter Reihenfolge wieder zusammensetzen.

- Verunreinigungen des Innenteils der Pipette, verursacht durch häufige Entnahme von aggressiven chemischen Flüssigkeiten oder durch ein Überfließen des Innenteils der Pipette.

Den Abwerfer abnehmen, die Rändelmutter lösen, den Schaft, Kolbeneinheit, die Dichtung und den O-Ring herausnehmen. Die ausgebauten Teile mit destilliertem Wasser reinigen und trocknen. Die Innenfläche der Dichtung und des O-Rings leicht mit Schmierfett behandeln. Die Pipette erneut zusammensetzen.

Hinweis : Kolben, Befestigungsmutter des Schafts, Abwerfer, Kolbeneinheit, Dichtung und O-Ring können im Autoklaven 20 Minuten lang bei einer Temperatur von 121 °C und einem Druck von 1 bar sterilisiert werden.

Der Schaft der Pipetten 5000 und 10000 muss ohne Filter autoklaviert werden.

Den Handgriff und die Außenteile der Pipette kann man mit einem Tuch, das mit Isopropanol getränkt ist, reinigen.

Wenn die Ausführung der angeführten Hinweise den Defekt der Pipette nicht behebt, dann senden Sie bitte die Pipette an den HTL-Service.

Vor dem Versand muss geprüft werden, ob die Pipette nicht mit aggressiven chemischen, radioaktiven oder mikrobiologischen Reagenzien verunreinigt ist, die eine Gefahr während des Transports und der Instandsetzung darstellen können. Im Rahmen der Möglichkeiten die Pipette reinigen.

10 - KOMPLETTIERUNG

Die Pipetten sind mit folgenden Komponenten geliefert:

- Pipette
- Bedienungsanleitung
- Kalibrierschlüssel
- Ständer für Pipetten
- Einstellungshülsen
(bei LM2 bis LM1000)
- Abwerferkappe
(bei LM2, LM10, LM5000 und LM10000)
- Spitzen
- Identifizierungsaufkleber
- Filter (bei LM5000 und LM10000)
- Schmierfett

Das Montageschema des Ständers ist in der Abbildung 5 dargestellt.

11 - ERSATZTEILE

Pipettenteile (Abb. 3, 4, 6):

A: Pipettierdruckknopf

A1: Druckknopf A2: Schraube

B: Einstellschraube

C: Schaft

D: Spitzenabwerfer

F: Rändelmutter

G: Kolbeneinheit

H: Einstellungshülsen

I: O-Ring

J: Teflondichtung

K: Kalibrierschlüssel

L: Filter

M: Abwerferkappe

N: Abwerferdruckknopf

können Sie bei der zuständigen HTL-Vertretung bestellen. Bei der Bestellung bitte die genaue Bezeichnung des Teiles und das entsprechende Pipettenmodell angeben.

Zur Beachtung: Der Austausch der Tauchkolben-Einheit bedarf einer Rekalibrierung gemäß Kapitel 8.

Alle Rechte vorbehalten. Die in der vorliegenden Anweisung beschriebenen Produkte sind in begrenztem Umfang erhältlich und unterliegen technischen Änderungen. Die Fehler sind zulässig.

PZ HTL S.A. behält sich das Recht vor, Verbesserungen oder ähnliche Modifizierungen seiner Produkte ohne vorherige Mitteilung vorzunehmen.

© 2010 PZ HTL S.A.

SOMMAIRE

1 - GÉNÉRALITÉS

2 - REGLAGE DU VOLUME

3 - ASPIRATION ET DISTRIBUTION DU LIQUIDE

4 - PRE-RINCAGE DU CÔNE

5 - SOLUTIONS DENSES ET VISQUEUSES

6 - CÔNES DE PRELEVEMENT HTL

7 - RECOMMANDATIONS

8 - RECALIBRAGE

9 - ELIMINATION DE PETITS DEFAUTS

10 - CONTENU DE L' EMBALLAGE

11 - PIÈCES DÉTACHÉES

1 - GÉNÉRALITÉS

La **LAB MATE Soft** est un instrument volumétrique à piston destiné à mesurer et à transférer, avec exactitude et répétabilité, des volumes allant de 0,1 µl à 10000 µl.

Les pipettes **LAB MATE Soft** sont équipées d'un volume numérique. Le volume réglé est visible dans la fenêtre de l'embout. Le réglage du volume s'effectue à l'aide de la vis du bouton poussoir (Fig. 1A2) ou en tournant la vis de réglage de volume (Fig. 1B) ou en tournant la vis de réglage noire (Fig. 1B) dans le sens souhaité. Le volume est inscrit sur le bouton poussoir (Fig. 1A1). Les pipettes **LAB MATE Soft** existent en 10 modèles pour chaque couleur et leur gamme de volume varie de 0,1 µl à 10000 µl.

Modèle	Gamme de volume recommandée [µl]
LM2	0.1 - 2
LM10	0.5 - 10
LM20	2 - 20
LM50	5 - 50
LM100	10 - 100
LM200	20 - 200
LM250	50 - 250
LM1000	100 - 1000
LM5000	1000 - 5000
LM10000	1000 - 10000

LM2, LM10	Mesure et transfert de micro-volumes, séquençage de l'ADN et test enzymatique.
LM20, LM50, LM100, LM200, LM250, LM1000	Mesure et transfert de solutions aqueuses, d'acides et de bases.
LM5000, LM10000	Mesure et transfert de volumes importants.

La **LAB MATE Soft** s'utilise avec des cônes en polypropylène, Fig.1E. Le liquide est prélevé avec des cônes montés sur la pipette.

NOTE: L'utilisation d'un cône à usage unique assure la sécurité et élimine la possibilité de contaminer le liquide prélevé.

L'éjection du cône est facilitée par un éjecteur équipant la pipette.

L'éjecteur est facilement démontable ce qui permet d'adapter les pipettes aux tubes de petit diamètre. La possibilité de changer sa longueur permet d'ajuster les pipettes à la gamme d'embouts.

Réglage de la longueur du cône d'éjection.

- dans les pipettes pour mesurer les volumes entre 2 et 1000 µl (Fig. 6A).

Les systèmes "H" réglés, incorporés dans la boîte permettent de régler la longueur du cône d'éjection de 1 à 2 mm. Du spacer "H0" est compris d'origine. La forme extérieure du spacer permet d'identifier le changement de taille.

- dans les pipettes pour mesurer les volumes entre 5000 et 10000 µl. (Fig. 6B).

Le réglage de la longueur d'éjecteur s'effectue en vissant ou dévissant le mandrin d'éjecteur à l'aide d'un tournevis. Pour allonger l'éjecteur il faut tourner le mandrin dans

le sens inverse des aiguilles d'une montre et pour le raccourcir, il faut tourner le mandrin dans le sens des aiguilles d'une montre. La plage de réglage est de 5 mm. Si la méthode d'ajustage de l'éjecteur décrite ci-dessus n'est pas suffisante ou le diamètre d'ouverture de l'éjecteur est trop grand, il est indispensable d'insérer la tétine "M" sur l'éjecteur pour enlever les cônes, (Fig. 6C).

- dans les pipettes pour mesurer les volumes entre 2 et 10 μl (Fig. 6D).

Les pipettes de 2 μl à 10 μl peuvent nécessiter l'utilisation d'un manchon sur l'éjecteur "M" pour pouvoir aisément éjecter les cônes accessibles sur le marché et venant de différents fournisseurs. Un manchon, disponible en kit avec la pipette, doit être positionné sur l'extrémité de l'éjecteur, du côté de la pointe de l'embase, de manière à ce qu'il entoure l'éjecteur.

La **LAB MATE Soft** est un instrument de précision qui offre une exactitude et une répétabilité excellentes.

Les erreurs de précision (A) et de répétabilité (P) des mesures du liquide dépendent de la qualité des cônes utilisés. Les erreurs indiquées dans le tableau ont été obtenues avec des cônes **HTL**. La justesse et la répétabilité des volumes prélevés ne sont garanties que si les pipettes sont utilisées avec ces cônes.

Modèle	Référence	Volume [μl]	Erreur de précision [%]	Erreur de répétabilité [%]	Cônes	Couleur des embouts porte-cônes
LM2	4811	0.2	± 12.0	± 6.0	10 μl	rouge
		1.0	± 2.7	± 1.3		
		Max 2.0	± 1.5	± 0.7		
LM10	4812	Min 0.5	± 4.0	± 2.8		
		5.0	± 1.0	± 0.6		
		Max 10.0	± 0.5	± 0.4		
LM20	4813	Min 2	± 3.0	± 1.5	200 μl	jaune
		10	± 1.0	± 0.5		
		Max 20	± 0.8	± 0.3		
LM50	4817	Min 5	± 2.5	± 2.0		
		25	± 1.0	± 0.6		
		Max 50	± 0.8	± 0.4		
LM100	4814	Min 10	± 1.6	± 0.80		
		50	± 0.8	± 0.24		
		Max 100	± 0.8	± 0.20		
LM200	4815	Min 20	± 1.2	± 0.60		
		100	± 0.8	± 0.25		
		Max 200	± 0.6	± 0.20		
LM250	4810	Min 50	± 1.0	± 0.4	300 μl	vert
		125	± 0.8	± 0.3		
		Max 250	± 0.6	± 0.3		

LM1000	4816	Min 100	± 1.6	± 0.40	1000 μl	bleu
		500	± 0.7	± 0.20		
		Max 1000	± 0.6	± 0.15		
LM5000	4818	Min 1000	± 0.6	± 0.25	5000 μl	blanc
		2500	± 0.6	± 0.20		
		Max 5000	± 0.5	± 0.15		
LM10000	4819	Min 1000	± 2.5	± 0.6	10000 μl	blanc
		5000	± 0.8	± 0.3		
		Max 10000	± 0.5	± 0.2		

Les spécifications sont obtenues en mode direct par la méthode gravimétrique, avec des températures stabilisées entre 19°C et 21°C, autant pour l'eau distillée que pour l'air ambiant et les cônes. Nombre de contrôle - minimum 10. Les valeurs indiquées prennent en compte toutes les causes d'erreurs dues aussi bien à l'échauffement de la poignée qu'au changement de cône. Ces spécifications sont obtenues avec des "cônes **HTL** véritables".

Performances: Les spécifications des performances volumétriques de la **LAB MATE Soft** sont le résultat de tests gravimétriques rigoureusement décrits dans les recommandations ISO. Si vous souhaitez contrôler les performances de vos pipettes en appliquant ces procédures, veuillez vous procurer le document EN ISO 8655.

La construction de la pipette permet à l'utilisateur le recalibrage selon les principes présentés dans le chapitre 8.

2 - REGLAGE DU VOLUME

Le volume est indiqué par le volumètre, il se compose de trois chiffres qui doivent être lus du haut en bas. En outre, sur le barillet du compteur le plus bas est indiquée l'échelle qui permet de régler le volume dans la gamme élémentaire.

Pour les pipettes LM2, LM10, LM20, LM50, LM100, LM200, LM250 les chiffres en noir représentent les microlitres, ceux en rouge les dixièmes de microlitres. Un exemple, pour chacune de ces pipettes, est illustré ci-dessous.

EXEMPLE DE REGLAGE DU VOLUMETRE POUR LM2 - LM250

	LM2	LM10	LM20	LM100, LM50	LM250, LM200
	1	0	1	0	1
rouge	2	7	2	7	2
rouge	5	5	5	5	5
	1.25 μl	7.5 μl	12.50 μl	75 μl	125 μl

Pour les pipettes LM1000, LM5000 et LM10000 les chiffres en rouge représentent les millilitres, ceux en noir les microlitres. Un exemple, pour chacune de ces pipettes, est illustré ci-dessous.

EXEMPLE DE REGLAGE DU VOLUMETRE POUR LM1000, LM5000, LM10000

LM1000	LM5000	LM10000
rouge 0	rouge 1	rouge 0
7	2	7
5	5	5
0.75 ml	1 25 ml	7.5 ml

Le volume de la pipette est réglé avec la vis du bouton poussoir (rys.1A2) ou avec la vis de réglage du volume (rys.1B). Pour obtenir une précision maximale, le volume demandé doit être réglé à partir d'un volume plus élevé, par la réduction des valeurs sur le compteur.

- Si le volume demandé est inférieur à la valeur réglée sur le compteur, il faut tourner la vis du bouton poussoir (Fig. 1A2) ou la vis de réglage du volume (rys.1B) pour réduire la valeur sur le compteur jusqu'à la valeur demandée. Avant d'arriver à la valeur demandée, il faut réduire la vitesse de rotation de la vis et faire attention à ne pas dépasser la valeur à régler.
- Si le volume demandé est supérieur à la valeur réglée sur le compteur, il faut tourner la vis du bouton poussoir ou la vis de réglage du volume pour augmenter la valeur sur le compteur à la valeur qui dépassera la volume demandé d'environ 1/3 de tour du barillet le plus bas. Ensuite, en tournant lentement la vis, il faut réduire la valeur réglée à la valeur demandée en faisant attention à ne pas la dépasser.

Si la valeur demandée est dépassée, le processus de réglage doit être répété. Le volume demandé doit être toujours réglé à partir d'une valeur supérieure par la réduction des valeurs indiquées sur le compteur.

3 - ASPIRATION ET DISTRIBUTION DU LIQUIDE

Monter le cône approprié sur l'embout porte cône. Reportez-vous à la section 6 pour le choix du cône. Pour effectuer ce raccordement de façon étanche, appuyer fermement le cône sur l'embout en imprimant un mouvement de rotation.

Note: Ne jamais manipuler un liquide avec LAB MATE Soft sans l'avoir au préalable équipée d'un cône.

Aspiration

- Presser le bouton poussoir jusqu'à la première butée positive, Fig 2A.
- Tout en maintenant la pipette verticale, plonger l'extrémité du cône dans l'échantillon à prélever.
- La profondeur d'immersion du cône dans le liquide est fonction du modèle de **LAB MATE Soft** utilisé:

Modèle	Profondeur d'immersion (mm)
LM2	≤ 1
LM10	≤ 1
LM20, LM50, LM100	2 ÷ 3
LM200, LM250, LM1000	2 ÷ 3
LM5000	3 ÷ 6
LM10000	5 ÷ 7

- Relâcher lentement et régulièrement le bouton poussoir pour aspirer le liquide dans le cône, Fig. 2B.
- Attendre une seconde et retirer le cône du liquide.
- Essayer éventuellement les gouttes de liquide qui pourraient adhérer sur les parois extérieures du cône avec un papier non tissé (par exemple, mouchoir de cellulose). Après l'immersion du cône sur une profondeur inférieure à celle qui est recommandée ou lors d'une libération rapide du bouton poussoir vers le cône, une certaine quantité d'air pourrait être absorbée.

Prendre soin de ne pas toucher l'orifice du cône.

Distribution

- Placer l'extrémité du cône de façon à former un angle de 10 à 40 degrés contre la paroi interne du tube récepteur.
- Presser doucement le bouton poussoir jusqu'à la première butée positive, (Fig. 2C).
- Attendre une seconde.
- Presser complètement le bouton poussoir afin d'expulser la dernière fraction de liquide. (Fig. 2D).
- Tout en maintenant le bouton poussoir complètement pressé, retirez la **LAB MATE Soft** en glissant le cône le long de la paroi du tube récepteur.

- Relâcher complètement le bouton poussoir, Fig. 2E.
- Ejecter le cône souillé en pressant le bouton de commande de l'éjecteur de cône, Fig. 2F.
- Il est nécessaire d'utiliser un nouveau cône si un liquide différent doit être pipeté ou si le volume à prélever est différent du volume précédent.

Filtres

Les pipettes de 5000 μl et 10000 μl sont équipées d'un filtre échangeable qui est monté dans un siège dans la partie inférieure du corps (fig. 3L).

Le filtre protège la pipette contre la pénétration du liquide prélevé à l'intérieur du corps et par conséquent, contre les impuretés qui pourrait pénétrer à l'intérieur du corps et du plongeur. L'utilisation du filtre est importante dans les prélèvements des volumes importants du liquide. Si le filtre se mouille pendant le prélèvement il faut le remplacer par un nouveau.

4 - PRE-RINCAGE DU CÔNE

Lors du pipetage de solutions dont la viscosité et la densité sont différentes de celles de l'eau, telles que les solvants organiques, une certaine rétention de liquide peut s'observer sur la paroi interne du cône. Ce film peut créer une erreur. Cependant, une fois formé, il reste relativement constant d'un pipetage à l'autre, avec un même cône. L'erreur peut donc être évitée en formant le film dès la première manipulation d'échantillon. Pour ce faire, l'échantillon doit être aspiré et redistribué dans le même récipient. Une fois le film en place, les pipetages suivants auront une meilleure exactitude et répétabilité.

Cette opération doit être à nouveau effectuée après chaque modification de volume ou changement de cône.

5 - SOLUTIONS DENSES ET VISQUEUSES

Pour des solutions modérément denses ou visqueuses, il est possible d'effectuer une compensation en augmentant la valeur du volumètre par rapport à la valeur désirée.

Pour des solutions moins denses que l'eau, il est possible d'effectuer une compensation en diminuant la valeur du volumètre par rapport à la valeur désirée.

Exemple: Transfert de 10 μl de sérum avec une LAB MATE Soft modèle LM20

Régler le volumètre de la **LAB MATE Soft** sur 10 μl . Aspirer le volume de liquide et le mesurer gravimétriquement. Si l'on détermine que le volume délivré est de 9.5 μl par exemple, l'erreur est de 0.5 μl . Augmenter la valeur du volumètre de 0.5 μl pour l'amener à 10.5 μl et répéter la mesure. Si le volume mesuré n'est pas encore correct, ajuster le volumètre jusqu'à obtenir le volume exact désiré.

Lors de la distribution de liquides denses ou visqueux, avant d'expulser la dernière fraction de liquide, attendre une seconde supplémentaire à la première butée positive.

6 - CÔNES DE PRELEVEMENT HTL

Les embouts **HTL** sont fabriqués de polypropylène de la plus haute qualité au cours d'un processus de production contrôlé, ce qui permet d'obtenir le produit final de première qualité. Cette qualité garantit la compatibilité avec les pipettes **LAB MATE Soft** et assure le prélèvement précis et reproductible du liquide. Au cours de leur fabrication, ces cônes sont soumis à différents types de contrôle qui nous permettent d'assurer leur qualité. Les performances de la **LAB MATE Soft** ne sont garanties que si elle est utilisée avec des "HTL véritables". L'utilisation d'autres cônes risque d'entraîner une dégradation notable des performances.

Micro-cônes 10

Ces cônes sont recommandés pour des volumes compris entre 0,1 μl et 10 μl . Les cônes utilisées avec des pipettes de type LM2, LM10 munies d'un bouton-poussoir de pipetage rouge

Cônes 200

Ces cônes sont recommandés pour des volumes compris entre 2 μl et 200 μl . Les cônes utilisés avec les pipettes de modèle LM20, LM50, LM100 et LM200 sont équipés d'un bouton-poussoir de pipetage jaune.

Cônes 300

Ces cônes sont recommandés pour des volumes compris entre 50 μl et 250 μl . Les cônes utilisés avec les pipettes modèle LM250 sont équipés d'un bouton de pipetage vert.

Cônes 1000

Ces cônes sont recommandés pour des volumes compris entre 100 μl et 1000 μl . Les cônes utilisés avec les pipettes de modèle LM1000 sont équipés d'un bouton-poussoir de pipettage bleu.

Cônes 5000

Ces cônes sont recommandés pour des volumes compris entre 1000 μl et 5000 μl . Les cônes utilisés avec les pipette modèle LM5000 sont équipés d'un bouton de pipettage blanc.

Cônes 10000

Ces cônes sont recommandés pour des volumes compris entre 1000 μl et 10000 μl . Les cônes utilisés avec les pipette modèle LM10000 sont équipés d'un bouton de pipettage blanc.

7 - RECOMMANDATIONS

Les recommandations ci-dessous vous permettront d'obtenir de la **LAB MATE Soft** les meilleures performances d'exactitude et de reproductibilité.

- La **LAB MATE Soft** doit être manipulée doucement et régulièrement.
- La profondeur d'immersion du cône dans l'échantillon doit être la plus petite possible. Éviter de la faire varier de façon importante au cours de l'aspiration. Maintenir la **LAB MATE Soft** en position verticale.
- Il est nécessaire de changer de cône lorsque le liquide à pipetter ou son volume sont modifiés.
- Il est nécessaire de changer de cône lorsqu'une goutte de liquide reste piégée à l'extrémité du cône.
- Tout nouveau cône doit être pré-rincé avec le liquide à pipetter.
- Le liquide ne doit jamais entrer dans l'embout porte cône. Pour cela:
 - Presser et relâcher le bouton poussoir avec douceur.
 - Ne jamais mettre la pipette la poignée en bas.
 - Ne jamais poser la pipette à plat lorsque le cône contient du liquide.
- Ne jamais forcer le volumètre au delà de ses limites de fonctionnement.
- Lors du pipettage de solutions dont la température est différente de la température ambiante, rincer le cône plusieurs fois avant chaque prélèvement.

- Ne pas manipuler de solutions dont la température est supérieure à 70°C.
- Après l'emploi d'acides ou de solutions corrosives émettant des vapeurs, il est conseillé de démonter l'embout porte cône et de le rincer ainsi que le piston et le joint avec de l'eau distillée.

8 - RECALIBRAGE

Les pipettes **HTL** sont calibrées à l'aide de la méthode gravimétrique, avec l'utilisation des cônes **HTL** et de l'eau distillée, à une température de $20 \pm 1^\circ\text{C}$, conformément à la norme DIN 12650.

Dans le cas si vous constatez, pendant l'utilisation de la pipette, que l'erreur de précision (différence entre le volume réel prélevé et le volume fixé) dépasse la valeur admissible, présentée dans le tableau au chapitre I, il faudrait procéder au recalibrage de la pipette. Avant de procéder au recalibrage, vérifiez les conditions dans lesquelles vous avez déterminé l'erreur de précision A, et assurez-vous, que:

- la température ambiante et celles de la pipette et de l'eau, sont identiques,
- le liquide utilisé a une densité pareille à la celle de l'eau distillée,
- la balance que vous utilisez a une sensibilité appropriée,

Volume vérifié [μl]	Sensibilité de la 1 balance [mg]
0.1 - 10	≤ 0.001
10 - 100	≤ 0.01
> 100	≤ 0.1

- vous avez pris en considération le facteur de conversion $\text{mg}/\mu\text{l}$,
- vous vous conformez aux exigences décrites dans les chapitres 3 et 7.

Quand les conditions sus-mentionnées sont accomplies et l'erreur de précision, pour le volume choisi, présenté au chapitre I, dépasse la valeur admissible, il faut procéder au recalibrage de la pipette.

Le recalibrage peut être effectué seulement dans les limites d'un seul tour de clé, dans l'un ou l'autre sens.

Les conditions de recalibrage:

- la température de l'entourage, de la pipette, des cônes et de l'eau doit être de 20 à 25°C stabilisée courant le pesage, dans les limites de $\pm 0,5^\circ\text{C}$,
- pour les mesures, utilisez de l'eau distillée
- la sensibilité de la balance doit être adéquate au volume vérifié,
- fixer le volume de la dose, selon la capacité de la pipette, conformément aux données au tableau ci-dessous:

Modèle	Capacité de la pipette [μl]	Volume fixé [μl]	Valeurs admissibles [μl]	Changement du volume pour un tour complet de la clé de calibrage ΔV [μl] (24 échelons)
LM2	0.1 - 2	0.2	0.176 - 0.224	0.06
LM10	0.5 - 10	0.5	0.48 - 0.52	0.33
LM20	2 - 20	2	1.94 - 2.06	0.63
LM50	5 - 50	5	4.875 - 5.125	2.50
LM100	10 - 100	10	9.84 - 10.16	2.50
LM200	20 - 200	20	19.76 - 20.24	6.30
LM250	50 - 250	50	49.5 - 50.5	6.30
LM1000	100 - 1000	100	98.4 - 101.6	25.00
LM5000	1000 - 5000	1000	994 - 1006	125.00
LM10000	1000 - 10000	1000	975 - 1025	250.00

effectuez 5 prélèvements, pesez-les chaque fois, et calculez la moyenne de ces prélèvements,

- calculez le volume moyen prélevé en μl , en multipliant la moyenne des prélèvements [mg] par le coefficient de la densité de l'eau distillée [$\mu\text{l}/\text{mg}$]. Celui-ci dépend de la température et de la pression comme le montre le tableau ci-dessous:

Température [$^\circ\text{C}$]	Pression [kPa]		
	95.0	101.3	105.0
20	1.0028	1.0029	1.0029
21	1.0030	1.0031	1.0031
22	1.0032	1.0033	1.0033
23	1.0034	1.0035	1.0036
24	1.0037	1.0038	1.0038
25	1.0039	1.0040	1.0040

Si cette différence dépasse les valeurs admissibles, il faut:

- enlever le bouton poussoir de la pipette (dessin 4A), **Attention: Le bouton poussoir est composé de deux pièces: vis (Fig. 1A2) et bouton (Fig. 1A1). Après le démontage du bouton poussoir, les deux pièces se séparent.**
- tenant le tourne-à-gauche de fixation de la capacité, de façon à interdire sa rotation, introduire la clé de calibrage dans les canaux de la vis de calibrage, (dessin 4B),
- tourner la clé dans le sens des aiguilles d'une montre pour diminuer la valeur (volume) prélevé, ou contre le sens des aiguilles d'une montre, pour augmenter le volume prélevé, (Fig.4C).
Un tour complet de la clé change le volume prélevé de la pipette conformément aux valeurs présentées dans le tableau,
- enlever la clé de calibrage et remettre le bouton poussoir (Fig. 4D). Il faut d'abord monter la vis (Fig. 1A2) sur l'embout et ensuite le bouton (Fig. 1A1).

Fixer le volume moyen prélevé. Le volume moyen doit se tenir dans l'étendue des valeurs admissibles, présentées dans le tableau. Si ce volume dépasse les valeurs mentionnées, le recalibrage doit être répété.

Dans le cas de pipettage des liquides, dont les propriétés physiques sont sensiblement différentes à celles de l'eau, il faut procéder conformément à la teneur du chapitre 5.

Vous trouverez plus d'informations au sujet du calibrage à la page www.htl.com.pl

9 - ELIMINATION DE PETITS DEFAUTS

Si vous constatez un mauvais fonctionnement de la pipette, trouvez la cause et éliminez la défaillance. Suivez l'ordre proposé par la notice. L'échange des pièces est un ultime recours qui ne devrait pas être nécessaire lors d'une exploitation convenable.

Présence des gouttes de liquide dans le cône.

- Le liquide est trop rapidement éjecté du cône.
Diminuez la vitesse de pression sur le bouton-poussoir.
- Humidification du cône causé par une utilisation prolongée.
Remplacez le cône.

Apparition de bulles d'air dans le liquide aspiré.

- Immersion trop faible du cône.
Immergez le cône plus en profondeur comme précisé dans la notice.
- Cône mal fixé sur l'embout porte- cône.
Fixez mieux le cône.
- Cône endommagé ou usé.
Remplacez le cône.

Pipette aspire incorrectement ou le cône perd du liquide.

- Cône mal fixé sur l'embout porte- cône.
Fixez mieux le cône
- Ecrou raccord dévissé (Fig. 3F).
Serrez l'écrou raccord
- Fissure ou rayure de la surface d'étanchéité de l'embout porte-cône.
Sortez l'éjecteur, dévissez l'écrou raccord, vérifiez l'embout porte-cône et le piston assemble. Remplacez les pièces endommagées (voir chapitre 11) et montez la pipette en serrant l'écrou.
Dans les pipettes LM2, LM10 et LM20 l'endommagement de l'embout porte-cône peut provoquer l'endommagement du piston assemble. Remplacez les pièces endommagées (voir chapitre 11) et montez la pipette en serrant l'écrou.
Pour sortir l'éjecteur, dans les pipettes LM5000 et LM10000, enlevez le bouton de l'éjecteur (Fig. 3N) et dévissez l'éjecteur avec un tourne-vis, en tournant celui-ci dans le sens contraire au mouvement de l'aiguille de la montre.
- Endommagement du piston assemble ou du joint d'étanchéité causé par un pipetage prolongé des liquides corrosifs.
Démontez la pipette en suivant les inscriptions ci-dessus. Remplacez le piston assemble, le joint d'étanchéité et le joint torique (voir chapitre 11). Nettoyez l'intérieur de l'embout porte-cône avec de l'eau distillée. Lubrifiez le joint d'étanchéité et le joint torique avec la graisse fournie avec chaque pipette.
Tout changement du piston assemble demande un calibrage de la pipette.
Dans les pipettes LM2 et LM10 veiller à ce que les éléments à lubrifier soient correctement couverts

d'une quantité minimum de graisse.

- Montage de la pipette incorrect.
Démontez la pipette et montez-la en suivant l'ordre du montage (Fig. 3).
 - Absence de la graisse sur les éléments d'étanchéité.
Retirez l'éjecteur. Dévissez l'écrou raccord, sortez l'embout, le piston assemble, le joint d'étanchéité et le joint torique. Nettoyez les pièces démontées avec de l'eau distillée et séchez. Lubrifiez légèrement les surfaces intérieures du joint d'étanchéité et du joint torique avec la graisse fournie avec chaque pipette. Remontez la pipette dans l'ordre inverse du démontage.
Intérieur de la pipette impropre à cause du pipetage prolongé de liquides corrosifs ou de la pénétration du liquide à l'intérieur de la pipette.
Retirez l'éjecteur, dévissez l'écrou raccord, retirez le piston assemble et le joint torique. Nettoyez les pièces démontées avec de l'eau distillée et séchez. Lubrifiez légèrement les surfaces intérieures du joint d'étanchéité et du joint torique avec la graisse fournie avec chaque pipette. Remontez la pipette.
- Attention: l'embout porte-cône, l'écrou raccord, l'éjecteur, le piston assemble, le joint d'étanchéité et le joint torique peuvent être soumis à la stérilisation dans un autoclave, à une température de 121°C pendant 20 minut, sous la pression de 1 bar.
- Les embouts porte-cône des pipettes 5000 et 10000 doivent être stérilisés dans un autoclave sans filtre.

La poignée et les parties extérieures de la pipette peuvent être nettoyées à l'aide d'un tampon imbibé d'alcool isopropylique.

Si les opérations mentionnées ci-dessus ne permettent pas de rétablir le fonctionnement, renvoyez la pipette au service HTL.

Avant de la renvoyer, assurez-vous que la pipette n'est pas contaminée par des agents chimiques corrosifs, radioactifs ou microbiologiques qui pourraient constituer un risque durant le transport et la remise en état. Dans la mesure du possible nettoyez la pipette.

10 - CONTENU DE L' EMBALLAGE

Les pipettes sont fournies dans une complétation suivante:

- pipette,
- instruction
- clé de calibrage,
- support,
- spacer de réglage de l'éjecteur (pipettes LM/L2 - LM/L1000),
- tétine (pipettes LM2, LM10, LM5000 et LM10000)
- cônes,
- étiquettes d'identification,
- filtr (pipettes LM5000, LM10000),
- graisse

Le dessin 5. présente le schéma de montage du support.

11 - PIÈCES DÉTACHÉES

Les parties présentées sur la Fig. 3, 4, 6:

A: Bouton poussoir de pipettage

A1: Bouton A2: Vis

B: Bague de calibration

C: Embout porte-cône

D: Ejecteur

G: Piston assemblé

F: Écrou raccord

H: Spacer

I: Joint torique

J: Joint d'étanchéité

K: Clé de calibrage

L: Filtre

M: Tétine

N: Bouton de l'éjecteur

vous pourrez les obtenir chez le représentant **HTL**.

En commandant les pièces, préciser la désignation et le type de la pipette.

Attention: Après chaque changement de l'ensemble du piston-plongeur il faut procéder au calibrage conformément aux instructions du chapitre 8.

Tous les droits réservés. Les produits décrits dans le présent mode d'emploi sont disponibles dans un cadre limité et sont soumis à des changements techniques. Les erreurs sont possibles. PZ HTL S.A. se réserve le droit d'améliorer ou de modifier ses produits sans en aviser quiconque au préalable.

© 2010 PZ HTL S.A.

CONTENIDO

1 - INTRODUCCIÓN
2 - AJUSTE DEL VOLUMEN
3 - ASPIRACIÓN Y DOSIFICACIÓN DEL LÍQUIDO
4 - LAVADO
5 - LÍQUIDOS DENSOS Y VISCOSOS
6 - PUNTAS HTL
7 - RECOMENDACIONES
8 - RECALIBRACIÓN
9 - SOLUCIÓN DE PROBLEMAS MENORES
10 - JUEGO DE ENTREGA
11 - PIEZAS DE REPUESTO

1 - INTRODUCCIÓN

LAB MATE Soft es un instrumento volumétrico diseñado para medir y transferir líquidos de manera precisa y segura. Puede medir y transferir, según el modelo, volúmenes desde 0,1 μl a 10000 μl .

Las pipetas **LAB MATE Soft** vienen con un indicador digital de volumen. El volumen ajustado aparece en la ventanilla de visualización del mango. El volumen del líquido a dispensar se ajusta con el tornillo del botón pulsador (fig. 1A2) o girando la rueda dentada de graduación del volumen de color negro (fig. 1B) hacia la dirección adecuada. El volumen de cada pipeta está indicado en el botón pulsador (fig. 1A1).

Hay 10 modelos de pipetas **LAB MATE Soft**, cubriendo el rango desde 0,1 hasta 10000 μl .

Modelo	Rango de volumen [μl]
LM2	0.1 - 2
LM10	0.5 - 10
LM20	2 - 20
LM50	5 - 50
LM100	10 - 100
LM200	20 - 200
LM250	50 - 250
LM1000	100 - 1000
LM5000	1000 - 5000
LM10000	1000 - 10000

LM2, LM10	Medida y transferencia de microvolúmenes. Secuencias DNA y aplicación de ensayo de enzima.
LM20, LM50, LM100, LM200, LM250, LM1000	Medida y transferencia de soluciones acuosas generales, ácidos y bases.
LM5000, LM10000	Medida y transferencia de grandes volúmenes.

Las pipetas **LAB MATE Soft** utilizan puntas ("tips") de polipropileno, de un solo uso, (fig. 1E). El líquido a dispensar es aspirado dentro de las puntas, las cuales se insertan en el cono de la pipeta, (fig. 1D).

Importante: El uso de puntas desechables garantiza la seguridad y elimina el riesgo de contaminación de la muestra.

Un expulsor de puntas incorporado, facilita la expulsión de las mismas, protegiendo al operador del contacto con la punta contaminada.

El expulsor puede ser desmontado fácilmente permitiendo el uso de la pipeta en tubos de ensayo de diámetro pequeño.

- en las pipetas de una capacidad de 2 a 1000 μl (fig. 6A)

También puede modificarse la longitud del mismo en +1 ó +2mm, para adaptarlo a una amplia variedad de puntas. Para modificar la longitud del expulsor se utilizan los espaciadores "H" provistos con la pipeta. Un espaciador "H0" es provisto para identificar el cambio.

- en las pipetas de una capacidad de 5000 y 10000 μl (fig. 6B)

La longitud del expulsor se regulará atornillando o desatornillando su vástago. Para alargar el expulsor se dará vuelta al destornillador en el sentido contrario al de las manecillas de un reloj; para reducir su longitud se le hará girar en el mismo sentido que las manecillas de un reloj. El intervalo de esta regulación es de 5 mm.

Si el método descrito más arriba para el ajuste del expulsor no es suficiente o el diámetro de la abertura del expulsor es demasiado grande para expulsar la punta, es preciso poner sobre el expulsor el accesorio "M" (fig. 5C).

- en las pipetas de una capacidad de 2 a 10 µl (fig. 6D)

Las pipetas de 2 µl a 10 µl pueden requerir el uso de una tapa de expulsores "M" para quitar eficazmente las puntas de diferentes proveedores que están en el mercado. La tapa, suministrada con la pipeta, hay que colocarla sobre el expulsor en el extremo del cuerpo para que la tapa abra el expulsor.

LAB MATE Soft es un instrumento de alta calidad con excelente exactitud y precisión. Los valores de exactitud y precisión indicados en la tabla siguiente, han sido determinados utilizando las puntas **HTL** y sólo se garantizan con el uso de las mismas.

Modelo	Referencia	Volumen [µl]	Exactitud [%]	Precisión [%]	Punta	Color del cuerpo		
LM2	4811	0,2	± 12,0	± 6,0	10 µl	rojo		
		1,0	± 2,7	± 1,3				
LM10	4812	Max 2,0	± 1,5	± 0,7				
		Min 0,5	± 4,0	± 2,8				
LM20	4813	5,0	± 1,0	± 0,6			200 µl	amarillo
		Max 10,0	± 0,5	± 0,4				
LM50	4817	Min 2	± 3,0	± 1,5				
		10	± 1,0	± 0,5				
LM100	4814	Max 20	± 0,8	± 0,3				
		Min 5	± 2,5	± 2,0				
LM200	4815	25	± 1,0	± 0,6				
		Max 50	± 0,8	± 0,4				
LM1000	4816	Min 10	± 1,6	± 0,80	300 µl	verde		
		50	± 0,8	± 0,24				
LM5000	4818	Max 100	± 0,8	± 0,20				
		Min 20	± 1,2	± 0,60				
LM10000	4819	100	± 0,8	± 0,25				
		Max 200	± 0,6	± 0,20				
LM250	4810	Min 50	± 1,0	± 0,4			1000 µl	azul
		125	± 0,8	± 0,3				
LM5000	4818	Max 250	± 0,6	± 0,3				
		Min 100	± 1,6	± 0,40				
LM10000	4819	500	± 0,7	± 0,20				
		Max 1000	± 0,6	± 0,15				
LM5000	4818	Min 1000	± 0,6	± 0,25	5000 µl	blanco		
		2500	± 0,6	± 0,20				
LM10000	4819	Max 5000	± 0,5	± 0,15				
		Min 1000	± 2,5	± 0,6				
LM10000	4819	5000	± 0,8	± 0,3			10000 µl	blanco
		Max 10000	± 0,5	± 0,2				

Estas especificaciones se obtuvieron por método gravimétrico, con agua destilada, a temperatura estabilizada entre 19 y 21°C y repitiendo como mínimo 10 mediciones. Dichos valores incluyen todos los componentes de error resultantes, incluyendo el debido al calor normal de la mano y al intercambio de puntas. Estas especificaciones fueron obtenidas utilizando puntas **HTL**. Tests de verificación: La verificación volumétrica de las pipetas **LAB MATE Soft** se basan en los tests gravimétricos extensivos, con arreglo a la norma EN ISO 8655.

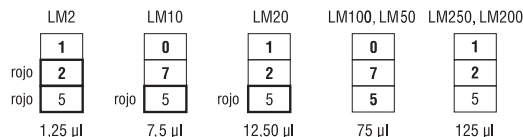
La pipeta puede ser calibrada por el propio usuario siguiendo los pasos indicados en el apartado 8.

2 - AJUSTE DEL VOLUMEN

El volumen demostrado por el indicador está compuesto de tres dígitos que hay que leer de arriba hacia abajo. Además, en la parte más baja del indicador hay una escala que permite el ajuste del volumen dentro de la división elemental.

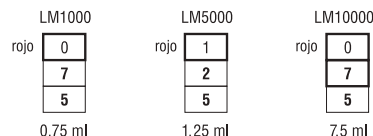
En los modelos LM2, LM10, LM20, LM50, LM100, LM200 los dígitos negros indican microlitros y los dígitos rojos decimas de microlitro.

DEBAJO FIGURAN EJEMPLOS PARA CADA UNO DE DICHS MODELOS



En los modelos LM1000, LM5000, LM10000, los dígitos rojos indican mililitros y los negros microlitros.

DEBAJO FIGURAN EJEMPLOS PARA CADA UNO DE DICHS MODELOS



Se ajusta el volumen de la pipeta con el tornillo del botón pulsador (fig. 1A2) o la rueda de graduación del volumen (fig.1B). Para obtener la mayor precisión, el volumen deseado debe ser ajustado desde un volumen más alto hacia la dirección de la disminución de las indicaciones del indicador.

- Si el volumen requerido es más bajo que el ajustado en el indicador, girando el tornillo del botón pulsador (fig. 1A2) o la rueda de graduación del volumen (fig. 1B) hay que disminuir las indicaciones del indicador hasta el valor requerido. Antes de alcanzar el valor requerido hay que disminuir la velocidad del giro y prestar la atención para no exceder el volumen para ajustar.
- Si el valor requerido es más alto que el ajustado en el indicador, girando el tornillo del botón pulsador o la rueda de graduación del volumen hay que aumentar las indicaciones del indicador hasta llegar a 1/3 por encima del valor deseado. Luego, lentamente, girando el tornillo o la rueda disminuir el ajuste hasta el valor deseado prestando la atención para no excederlo.

En el caso de exceder el valor requerido, se aconseja repetir el procedimiento del ajuste. Siempre se debe ajustar el volumen deseado desde un volumen más alto disminuyendo las indicaciones del indicador.

3 - ASPIRACIÓN Y DOSIFICACIÓN DEL LÍQUIDO

Insertar la punta en el cono de la pipeta, aplicando una leve presión con movimiento giratorio, para asegurar la hermeticidad. (Ver el apartado 6 para seleccionar la punta correcta).

Advertencia: Nunca utilice la pipeta LAB MATE Soft, con líquidos, sin la punta colocada.

Aspiración:

- Apretar el botón pulsador hasta el primer tope (fig. 2A).
- Con la pipeta en posición vertical sumergir la punta en la muestra. La profundidad a la que se sumerge la punta en el líquido depende del modelo:

Modelo	Profundidad (mm)
LM2	≤ 1
LM10	≤ 1
LM20, LM50, LM100	2 ÷ 3
LM200, LM250, LM1000	2 ÷ 3
LM5000	3 ÷ 6
LM10000	5 ÷ 7

- Liberar el botón pulsador lenta y suavemente para aspirar la muestra (fig. 2B).
- Esperar un segundo y retirar la punta del líquido. Limpiar la parte exterior de la punta de las gotas de líquido. Al sumergir la punta a la profundidad menor

que la recomendada o al librar rápidamente el botón pulsador puede entrar el aire a la punta.

No debe tocarse el orificio de la punta.

Dosificación:

- Colocar la parte inferior de la punta contra la pared interior del recipiente, con un ángulo entre 10° y 40°.
- Apretar el botón pulsador suavemente hasta el primer tope (fig. 2C).
- Esperar un segundo.
- Apretar el botón pulsador hasta el segundo tope, para vaciar el resto del líquido (fig. 2D).
- Manteniendo apretado el botón pulsador en el segundo tope, retirar la pipeta deslizando la punta por la pared interior del recipiente. Soltar luego el botón pulsador (fig. 2E).
- Expulsar la punta apretando el botón del expulsor (fig. 2F).

Es necesario cambiar la punta solamente en el caso de tomar la muestra de otro líquido o cuando se cambia el volumen.

Filtros

Las pipetas de 5000 μ l y 10000 μ l llevan un filtro, insertado en un asiento en la parte inferior del cuerpo de la pipeta (fig. 3L), para evitar que el líquido penetre dentro del cuerpo, ensuciando este y el émbolo. Se recomienda el uso del filtro especialmente cuando se toman grandes cantidades de líquido.

En el caso de mojarse el filtro, debe ser cambiado por uno nuevo.

4 - LAVADO

Al pipetear líquidos de viscosidad o densidad diferentes a las del agua, p. ej., disolventes orgánicos, se crea una capa superficial de líquido en la pared interior de la punta. Esta capa puede ser causa de error Dado que dicha capa se mantiene relativamente constante en operaciones sucesivas de pipeteado con la misma punta, puede evitarse el error creando la capa superficial antes del pipeteado de la primer muestra. Esto se logra aspirando la muestra y dispensándola nuevamente en el mismo recipiente. Hecho esto, las muestras subsiguientes tendrán mayor exactitud y repetibilidad. Es conve-

niente repetir esta operación de enjuague cada vez que se modifique el volumen o se utilice una nueva punta.

5 - LÍQUIDOS DENSOS Y VISCOSOS

En el caso de líquidos densos o viscosos, es posible compensar el error ajustando el volumen por encima del requerido.

En el caso de líquidos menos densos que el agua, puede compensarse ajustando el mismo por debajo del valor requerido.

Ejemplo: para transferir 10 μl de suero con la **LAB MATE Soft** LM20, se puede ajustar el volumen a 10 μl y comprobarlo en forma gravimétrica. Si el volumen medido resultara 9,5 μl , odemos aumentar el mismo en 0,5 μl (o sea a 10,5 μl) y medir nuevamente. Podemos repetir las mediciones gravimétricas, ajustando el volumen hacia arriba o hacia abajo hasta obtener el ajuste exacto para dicha muestra y el volumen requerido. De esta forma queda la pipeta ajustada en forma exacta para las sucesivas operaciones con dicha muestra.

Cuando se dosifican líquidos densos o viscosos, es aconsejable esperar uno o dos segundos más en el primer tope, antes de pipetear el resto del líquido.

6 - PUNTAS HTL

Las puntas **HTL** son fabricadas en polipropileno de excelente calidad, bajo un estricto control de producción, garantizando con su uso la precisión y exactitud de las pipetas **LAB MATE Soft**.

Es aconsejable la utilización de las puntas **HTL** con las pipetas **LAB MATE Soft**, ya que las especificaciones de exactitud y precisión de las mismas ha sido determinada con dichas puntas. El uso de puntas de calidades inferiores, pueden dañar el cono de las pipetas **LAB MATE Soft**.

Punta 10:

Puntas usadas para tomar cantidades de líquido de 0.1 a 10 μl . Se utilizan con las pipetas LM2 y LM10, las cuales tienen el botón pulsador de color rojo.

Punta 200:

Puntas usadas para tomar cantidades de líquido de 2 a 200 μl . Se utilizan con las pipetas LM20, LM50, LM100 y LM200, las cuales tienen el botón pulsador de color amarillo.

Punta 300

Puntas usadas para tomar cantidades de líquido de 50 a 250 μl . Se utilizan con las pipetas LM250, las cuales tienen el botón pulsador de color verde.

Punta 1000:

Puntas usadas para tomar cantidades de líquido de 100 a 1000 μl . Se utilizan con las pipetas LM1000, las cuales tienen el botón pulsador de color azul.

Punta 5000:

Puntas usadas para tomar cantidades de líquido de 1000 a 5000 μl . Se utilizan con las pipetas LM5000, las cuales tienen el botón pulsador de color blanco.

Punta 10000:

Puntas usadas para tomar cantidades de líquido de 1000 a 5000 μl . Se utilizan con las pipetas LM10000, las cuales tienen el botón pulsador de color blanco.

7 - RECOMENDACIONES

Las siguientes recomendaciones facilitan la máxima exactitud y precisión de sus pipetas **LAB MATE Soft**.

- Operar la pipeta **LAB MATE Soft** de manera lenta y suave.
- Sumergir el mínimo posible la punta de la pipeta en la muestra y mantener dicha profundidad durante la aspiración.
- Sitúe la pipeta **LAB MATE Soft** en posición vertical.
- Reemplazar la punta cada vez que modifique el ajuste de volumen o cambie de muestra.
- Reemplazar la punta siempre que ésta quede con alguna gota de líquido del pipeteado anterior.
- Cada vez que reemplaze la punta, ésta debe ser enjuagada con el líquido a pipetear.
- El líquido nunca debe entrar dentro del cono de la pipeta **LAB MATE Soft**. Para ello:
 - apretar el botón pulsador lenta y suavemente.
 - nunca vuelque la pipeta con la parte de arriba hacia abajo.
 - nunca coloque la pipeta en forma horizontal cuando la punta contenga líquido.
- Nunca ajuste el volumen fuera de los límites recomendados.

- Si la temperatura de los líquidos a pipetear es diferente de la del ambiente, se recomienda enjuagar la punta un par de veces antes de usarla.
- No pipetear líquidos con temperatura superior a 70°C.
- Cuando se pipeteen ácidos o soluciones ácidas que producen vapores, se recomienda desmontar el cono de la pipeta y enjuagar el pistón y los sellos con agua destilada al terminar la operación.

8 - RECALIBRACIÓN

La calibración de las pipetas **HTL** se realiza por gravimetría con el uso de puntas **HTL** y agua destilada, en una temperatura de $20 \pm 1^\circ\text{C}$, con arreglo a la norma EN ISO 8655.

Cuando se constate un error de precisión (diferencia entre la cantidad real y la nominal) de una pipeta, mayor al que se indica en el cuadro del capítulo 1, será necesario proceder a una nueva calibración. Antes, sin embargo, deberá comprobarse que al calcular el error se cumplieron los siguientes requisitos:

- una misma temperatura de la pipeta, puntas, agua y ambiente - líquido de una densidad semejante a la del agua destilada,
- balanza de precisión para las mediciones:

Volumen homologado [μl]	Sensibilidad de la balanza [mg]
0,1 - 10	$\leq 0,001$
10 - 100	$\leq 0,01$
> 100	$\leq 0,1$

- conversión de mg en μl ,
- y los especificados en los apartados 3 y 7.

Cumplidos estos requisitos, si el error de precisión en un volumen dado es mayor al indicado en el apartado 1 será necesario proceder a una nueva calibración de la pipeta.

La llave de calibración puede girar solamente de una vuelta entera hacia la derecha o la izquierda.

Requisitos para la calibración:

- la temperatura de la pipeta, punta, líquido y ambiente se estabilizará entre los 20 y 25°C con una exactitud de $\pm 0,5^\circ\text{C}$,
- en las pruebas se usará agua destilada,

- la sensibilidad de la balanza se adecuará al volumen que se quiera verificar.

Calibración:

- seleccionar el rango correspondiente a la capacidad de la pipeta, conforme lo indicado en la tabla que sigue:

Modelo	Rango de capacidad de la pipeta [μl]	Rango de ajuste [μl]	Valor admitido [μl]	Diferencia de volumen a una vuelta entera de la llave de calibración ΔV [μl] (24 unidades elemental)
LM2	0,1 - 2	0,2	0,176 - 0,224	0,06
LM10	0,5 - 10	0,5	0,48 - 0,52	0,33
LM20	2 - 20	2	1,94 - 2,06	0,63
LM50	5 - 50	5	4,875 - 5,125	2,50
LM100	10 - 100	10	9,84 - 10,16	2,50
LM200	20 - 200	20	19,76 - 20,24	6,30
LM250	50 - 250	50	49,5 - 50,5	6,30
LM1000	100 - 1000	100	98,4 - 101,6	25,00
LM5000	1000 - 5000	1000	994 - 1006	125,00
LM10000	1000 - 10000	1000	975 - 1025	250,00

- realizar cinco tomas, pesando cada una, y calcular la media de esas tomas,
- calcular la porción media en μl multiplicando la media de las tomas realizadas [mg] por el índice de densidad del agua destilada [$\mu\text{l}/\text{mg}$], con dependencia de su temperatura y presión.

Temperatura [$^\circ\text{C}$]	Presión [kPa]		
	95,0	101,3	105,0
20	1,0028	1,0029	1,0029
21	1,0030	1,0031	1,0031
22	1,0032	1,0033	1,0033
23	1,0034	1,0035	1,0036
24	1,0037	1,0038	1,0038
25	1,0039	1,0040	1,0040

Cuando el valor medio de las medidas tomadas difiera del admisible se procederá como se indica a continuación:

- desmontar el pulsador de pipeteo, (fig. 4A),
Atención: El botón pulsador se compone de dos piezas: un tornillo (fig. 1A2) y un botón (fig. 1A1).

Desmontando el botón ambas piezas se separan.

- introducir la llave de calibración en las muescas del tornillo de calibración, (fig. 4B), sujetando al mismo tiempo el botón de graduación del volumen para evitar que cambie de posición,
- darle vuelta a la llave - hacia la derecha para reducir la volumen o hacia la izquierda para aumentarla, (fig. 4C). Con una vuelta entera de la llave se aumenta o disminuye la porción en la cantidad que se ha indicado en el cuadro,
- retirar la llave de calibración y montar el botón pulsador. (fig. 4D). Para montar el botón pulsador hay que poner en el cuerpo primero el tornillo (fig. 1A2) y luego el botón (fig. 1A1).

Calcular nuevamente la porción media que deberá ajustarse a los valores admisibles indicados en el cuadro. En el caso contrario se repetirán las operaciones de calibración.

Cuando las propiedades físicas del líquido manipulado con la pipeta difieren mucho de las del agua se deberá proceder de acuerdo con las indicaciones del apartado 5.

En la página www.htl.com.pl encontrará más informaciones acerca de la calibración de pipetas.

9 - SOLUCIÓN DE PROBLEMAS MENORES

Al constatar el trabajo incorrecto de la pipeta compruebe la causa y elimine el defecto. Al eliminar un defecto actúe de acuerdo con el orden indicado en la instrucción. El cambio de algunos elementos por unos nuevos hay que tratar como necesidad extrema, que no debe producirse en el caso de la correcta explotación de la pipeta.

En la punta quedan las gotas del líquido.

- Demasiado rápido vaciado de la punta.
Disminuya la velocidad de opresión del botón pulsador.
- Aumento de humidificación de la punta causado por su múltiple uso.
Cambie la punta por una nueva.

En el líquido tomado a la punta aparecen las burbujas de aire.

- Poca profundidad de inmersión de la punta.
Hunda la punta a una profundidad mayor, acorde con la instrucción.

- Débil colocación de la punta en el cuerpo de la pipeta.
Fíjela mejor.

- Punta deteriorada o utilizada muchas veces.
Cámbiela por una nueva.

La pipeta toma el líquido de una manera incorrecta o el líquido sale goteando de la punta.

- Débil colocación de la punta en el cuerpo de la pipeta.
Fíjela mejor.

- Tuerca de conexión floja (fig. 3F).
Ajuste la tuerca de conexión.

- Superficie del cuerpo rota o rayada.

Retire el expulsor, afloje la tuerca de conexión, verifique el cuerpo y el pistón de la pipeta. Reemplace los elementos deteriorados (ver apartado 11) y vuelva a montar la pipeta ajustando la tuerca de conexión. En las pipetas LM2, LM10 y LM20, si el cuerpo está dañado, puede estarlo también el pistón. Reemplace los elementos deteriorados (ver apartado 11) y vuelva a montar la pipeta ajustando la tuerca de conexión.

Para retirar el expulsor en el caso de las pipetas LM5000 y L5000 hay que retirar el botón del expulsor (fig. 3N) y para desatornillar el expulsor se dará vuelta al destornillador en el sentido contrario al de las manecillas de un reloj.

- Deterioro del pistón o la junta a causa de la medición prolongada de líquidos agresivos.

Desmonte la pipeta como fue indicado arriba. Reemplace el pistón, la junta y el O-ring (ver apartado 11). Lave el interior del cuerpo con agua destilada. Engrase la junta y el O-ring con grasa adjunta a cada pipeta.

El reemplazo del pistón requiere una recalibración de la pipeta.

En las pipetas LM2 y LM10 hay que engrasar las piezas uniformemente y utilizando una cantidad mínima de la grasa.

- Mal ensamblado.
Desmonte la pipeta y móntela nuevamente siguiendo el correcto orden del montaje (fig. 3).

- Falta de la grasa en las piezas de hermeticidad.
Retire el expulsor. Afloje la tuerca de conexión, retire el cuerpo, el pistón, la junta y el O-ring. Lave las piezas sacadas con agua destilada y séquelas. Engrase un poco las superficies interiores de la

junta y del O-ring con la grasa adjunta a cada pipeta. Monte la pipeta en un orden contrario a su desmontaje.

Contaminación del interior de la pipeta causado por una prolongada toma de los líquidos químicamente agresivos o bien la humidificación del interior de la pipeta.

Retire el expulsor. Afloje la tuerca de conexión, retire el cuerpo, el pistón, la junta y el O-ring. Lave las piezas sacadas con agua destilada y séquelas. Engrase un poco las superficies interiores de la junta y del O-ring con la grasa. Vuelva a montar la pipeta.

Nota: El cuerpo, el anillo de fijación del cuerpo, el expulsor, el émbolo completo, la junta y el O-ring podrán esterilizarse en un autoclave a 121°C, una presión de 1 bar, durante 20 minutos.

Los cuerpos de las pipetas 5000 y 10000 se esterilizarán sin filtro.

Las partes externas de la pipeta pueden limpiarse con un algodón empapado de alcohol isopropílico.

Si el procedimiento arriba descrito no eliminase el trabajo incorrecto de la pipeta hay que enviarla al servicio técnico HTL.

Antes de enviar la pipeta al servicio técnico, asegúrese que la misma no esté contaminada con sustancias químicas agresivas, radioactivas o microbiológicas que puedan ser peligrosas durante el transporte y la reparación. Si es posible, limpie la pipeta.

10 - JUEGO DE ENTREGA

- la pipeta
- un manual de usuario
- una llave de calibración
- un portapipetas
- espaciador para la regulación del expulsor (para las pipetas LM2 - LM1000)
- abertura del expulsor (para las pipetas LM2, LM10, LM5000 y LM10000)
- puntas
- pegatinas de identificación
- filtros (para las pipetas LM5000, LM10000)
- grasa

En la fig. 5 se explica los pasos a seguir para ensamblar el portapipetas

11 - PIEZAS DE REPUESTO

Ver fig. 3, 4, 6:

A: Botón pulsador

A1: Botón A2: Tornillo

B: Rueda de graduación del volumen

C: Cuerpo

D: Expulsor de puntas

F: Tuerca de conexión

G: Pistón

H: Espaciador

I: O-Ring

J: Junta de Teflón

K: Llave de calibración

L: Filtro

M: La abertura del expulsor

N: Botón del expulsor

Estos repuestos pueden solicitarse al representante de HTL, detallando el modelo de pipeta y el nombre del repuesto.

Atención: Siempre que se cambie el émbolo se calibrará la pipeta de acuerdo con lo señalado en el apartado 8.

Todos los derechos reservados. Los productos mencionados en el presente manual se hallan disponibles dentro del campo limitado y se someten a las modificaciones técnicas. Los errores se encuentran permitidos.

PZ HTL S.A. reserva el derecho a mejorar o modificar sus productos sin aviso previo.

© 2010 PZ HTL S.A.

SPIS TREŚCI

1 - WSTĘP
2 - USTAWIANIE OBJĘTOŚCI
3 - POBIERANIE I WYDAWANIE CIECZY
4 - PRZEPLUKIWANIE
5 - POBIERANIE CIECZY O DUŻEJ GĘSTOŚCI I LEPKOŚCI
6 - KOŃCÓWKI DO PIPET HTL
7 - WSKAZÓWKI EKSPLOATACYJNE
8 - REKALIBRACJA
9 - USUWANIE DROBNYCH USTEREK
10 - KOMPLETACJA
11 - CZĘŚCI ZAMIENNE

1 - WSTĘP

Pipety **LAB MATE Soft** to rodzina przyrządów przeznaczonych do dokładnego i bezpiecznego odmierzania i przenoszenia cieczy o dowolnej objętości w zakresie od 0,1 μl do 10000 μl w zależności od modelu.

Pipety **LAB MATE Soft** wyposażone są w cyfrowy licznik pokazujący odmierzaną objętość. Ustawiona objętość widoczna jest w okienku w rękojeści. Ustawienie objętości odbywa się za pomocą pokrętki w przycisku pipetowania (rys. 1A2) lub przez obrócenie czarnego, ząbkowanego pokrętki nastawy objętości (rys. 1B) w odpowiednim kierunku. Zakres pobieranej objętości pokazany jest na przycisku pipetowania (rys. 1A1).

Pipety **LAB MATE Soft** wykonywane są w 10 modelach pokrywając zakres pojemności od 0,1 μl do 10000 μl .

Symbol pipety	Zakres pojemności [μl]
LM2	0.1 - 2
LM10	0.5 - 10
LM20	2 - 20
LM50	5 - 50
LM100	10 - 100
LM200	20 - 200
LM250	50 - 250
LM1000	100 - 1000
LM5000	1000 - 5000
LM10000	1000 - 10000

Przeznaczenie pipet w zależności od pojemności.

LM2, LM10	Pomiar i przenoszenie ilości śladowych, dzielenie DNA i określanie enzymów.
LM20, LM50, LM100, LM200, LM250, LM1000	Pomiar i przenoszenie roztworów wodnych, kwasów i zasad.
LM5000, LM10000	Pomiar i przenoszenie dużych objętości.

Ciecz pobierana jest do końcówek nakładanych na pipetę, (rys. 1E).

UWAGA: Jednorazowe użycie końcówki gwarantuje bezpieczeństwo i eliminuje możliwość zanieczyszczenia pobieranej cieczy.

Zrzucanie końcówki ułatwia wbudowany w pipetę wyrzutnik, (rys. 1D). Używanie pipet z wyrzutnikiem chroni przed kontaktem z zanieczyszczoną końcówką.

Łatwy demontaż wyrzutnika pozwala na używanie pipet do współpracy z probówkami o małej średnicy, a możliwość zmiany jego długości pozwala na przystosowanie pipet do współpracy z szerokim asortymentem końcówek.

Regulacja długości wyrzutnika.

- w pipetach o pojemności 2-1000 μl (rys. 6A)

Załączone w pudełku tulejki regulacyjne „H” pozwalają na zmianę długości wyrzutnika o +1mm lub + 2mm. Standardowo założona jest tulejka „H0”. Kształt zewnętrzny tulejki pozwala na identyfikację wielkości zmiany.

- w pipetach o pojemności 5000 i 10000 μl (rys. 6B)

Regulację długości wyrzutnika przeprowadza się przez wkręcanie lub wykręcanie trzpienia wyrzutnika za pomocą wkrętaka. W celu wydłużenia wyrzutnika należy wkrętak obracać w kierunku przeciwnym do ruchu

wskazówek zegara, w celu skrócenia długości wyrzutnika wkrętak należy obracać zgodnie z ruchem wskazówek zegara. Zakres tej regulacji wynosi 5 mm.

Jeśli zakres regulacji opisany powyżej (rys. 6B) jest niewystarczający lub występują trudności ze zrzucaniem końcówek ze względu na zbyt dużą średnicę otworu wyrzutnika, należy na wyrzutnik założyć załączoną nakładkę wyrzutnika „M”, (rys. 6C).

- w pipetach o pojemności 2 i 10 μl (rys. 6D)

Pipety w zakresie 2 μl -10 μl mogą wymagać użycia nakładki wyrzutników „M” w celu efektywnego zrzucania końcówek pochodzących od różnych dostawców na rynku. Nakładkę dostępną w zestawie z pipetą należy nałożyć na zakończenie wyrzutnika od strony zakończenia trzonu tak, aby obejmowała wyrzutnik.

Pipety **LAB MATE Soft** są wysokiej jakości przyrządem laboratoryjnym, zapewniającym najwyższą dokładność i precyzję pomiarów.

Błędy dokładności i powtarzalności odmierzania cieczy zależą od jakości używanych końcówek. Błędy podane w tabeli uzyskane zostały przy użyciu końcówek **HTL**. Tylko te końcówki gwarantują prawidłową współpracę z pipetami i zapewniają dokładne i powtarzalne pobieranie cieczy.

Symbol	Nr katalogowy	Pojemność μl	Błąd dokładności [%]	Błąd powtarzalności [%]	Końcówka μl	Kolor trzonu
LM2	4811	0,2	$\pm 12,0$	$\pm 6,0$	10 μl	czerwony
		1,0	$\pm 2,7$	$\pm 1,3$		
		Max 2,0	$\pm 1,5$	$\pm 0,7$		
LM10	4812	Min 0,5	$\pm 4,0$	$\pm 2,8$	10 μl	czerwony
		5,0	$\pm 1,0$	$\pm 0,6$		
		Max 10,0	$\pm 0,5$	$\pm 0,4$		
LM20	4813	Min 2	$\pm 3,0$	$\pm 1,5$	200 μl	żółty
		10	$\pm 1,0$	$\pm 0,5$		
		Max 20	$\pm 0,8$	$\pm 0,3$		
LM50	4817	Min 5	$\pm 2,5$	$\pm 2,0$	200 μl	żółty
		25	$\pm 1,0$	$\pm 0,6$		
		Max 50	$\pm 0,8$	$\pm 0,4$		
LM100	4814	Min 10	$\pm 1,6$	$\pm 0,80$	200 μl	żółty
		50	$\pm 0,8$	$\pm 0,24$		
		Max 100	$\pm 0,8$	$\pm 0,20$		
LM200	4815	Min 20	$\pm 1,2$	$\pm 0,60$	200 μl	żółty
		100	$\pm 0,8$	$\pm 0,25$		
		Max 200	$\pm 0,6$	$\pm 0,20$		
LM250	4810	Min 50	$\pm 1,0$	$\pm 0,4$	300 μl	zielony
		125	$\pm 0,8$	$\pm 0,3$		
		Max 250	$\pm 0,6$	$\pm 0,3$		

LM1000	4816	Min 100	$\pm 1,6$	$\pm 0,40$	1000 μl	niebieski
		500	$\pm 0,7$	$\pm 0,20$		
		Max 1000	$\pm 0,6$	$\pm 0,15$		
LM5000	4818	Min 1000	$\pm 0,6$	$\pm 0,25$	5000 μl	biały
		2500	$\pm 0,6$	$\pm 0,20$		
		Max 5000	$\pm 0,5$	$\pm 0,15$		
LM10000	4819	Min 1000	$\pm 2,5$	$\pm 0,6$	10000 μl	biały
		5000	$\pm 0,8$	$\pm 0,3$		
		Max 10000	$\pm 0,5$	$\pm 0,2$		

Błędy dokładności i powtarzalności zostały określone przy użyciu końcówek **HTL** metodą grawimetryczną z minimum 10-ciu pobrań wody destylowanej o temperaturze $20 \pm 1^\circ\text{C}$ według normy PN-EN ISO 8655.

Konstrukcja pipety umożliwia przeprowadzenie rekalkibracji przez użytkownika wg zasad przedstawionych w rozdziale 8.

2 - USTAWIANIE OBJĘTOŚCI

Trzy liczby ukazane na liczniku należy czytać w kolejności od góry do dołu. Dodatkowo na najniższym bębnie licznika naniesiona jest skala umożliwiająca nastawienie pipety w zakresie działki elementarnej pipety. Przykłady oznaczeń czarnych i czerwonych cyfr:

Pipety **LM2**

Czerwone cyfry na dole = 1/100 μl

Działka elementarna = 0,002 μl

LM2
1
2
5

1,25 μl

Pipety **LM10, LM20**

Czerwone cyfry na dole = 1/10 μl

Działka elementarna = 0,02 μl

LM10
0
7
5

7,5 μl

LM20
1
2
5

12,50 μl

Pipety **LM50, LM100,**

LM200, LM250

Tylko czarne cyfry = μl

Działka elementarna = 0,2 μl

LM50, LM100
0
7
5

75 μl

LM200, LM250
1
2
5

125 μl

Pipety **LM1000, LM5000**

Czerwone cyfry na górze - ml

Działka elementarna =

LM1000
0
7
5

0,75 ml

LM5000
1
2
5

1,25 ml

Pipety LM10000

Czerwone cyfry na górze - ml

Działka elementarna = 20 μ l

	LM10000
czerwony	0
czerwony	7
	5
	7,5 ml

Objętość pipety nastawia się za pomocą pokrętki w przycisku pipetowania (rys.1A2) lub pokrętki nastawy objętości (rys.1B). Aby uzyskać maksymalną dokładność, żądana objętość powinna być nastawiana od objętości wyższej przez zmniejszania wskazania licznika.

- Jeśli żądana objętość jest niższa niż ustawiona na liczniku, należy obracając pokrętkę w przycisku pipetowania (rys.1A2) lub pokrętkę nastawy objętości (rys.1B) zmniejszyć wskazania licznika do wartości żądanej. Przed osiągnięciem wartości żądanej należy zmniejszyć prędkość obracania pokrętkiem i zwrócić uwagę, aby nie przekroczyć nastawianej wartości.
- Jeśli żądana objętość jest wyższa niż ustawiona na liczniku, należy obracając pokrętkę w przycisku pipetowania lub pokrętkę nastawy objętości zwiększyć wskazania licznika do wartości przekraczającej żadaną objętość o około 1/3 obrotu najniższego bębena. Następnie, powoli kręcąc pokrętkę zmniejszyć nastawę do żądanej, zwracając uwagę, aby jej nie przekroczyć.

W przypadku przekroczenia żądanej wartości, proces nastawy powinien być powtórzony. Żądana objętość powinna być zawsze nastawiana od objętości wyższej przez zmniejszania wskazania licznika.

3 - POBIERANIE I WYDAWANIE CIECZY

Na trzon pipety należy założyć końcówkę. Sposób wybrania odpowiedniej końcówki opisany jest w rozdziale 6. Zakładając końcówkę należy docisnąć ją mocno do trzonu ruchem obrotowym. Zapewni to hermetyczny kontakt końcówki z trzonem.

UWAGA: Nigdy nie należy pobierać cieczy do pipety bez założonej końcówki!

Pobieranie cieczy

Przycisk dozowania należy wcisnąć aż do pierwszego oporu, (rys. 2A).

Trzymając pipetę pionowo należy zanurzyć końcówkę w pobieranej cieczy. Głębokość zanurzenia końcówki zależy od modelu pipety.

Symbol pipety	Głębokość zanurzenia (mm)
LM2	≤ 1
LM10	≤ 1
LM20, LM50, LM100	2 ÷ 3
LM200, LM250, LM1000	2 ÷ 3
LM5000	3 ÷ 6
LM10000	5 ÷ 7

W celu pobrania cieczy należy powolnym, płynnym ruchem zwolnic przycisk pipetowania, (rys. 2B). Przed wyjęciem końcówki z pobieranej próbki należy odczekać około 1 sekundę.

Przy zanurzeniu końcówki na mniejszą głębokość niż zalecana lub przy szybkim zwolnieniu przycisku pipetowania do końcówki może zostać pobrane powietrze.

UWAGA: Nie należy dotykać zużytej końcówki.

Wydawanie cieczy

- Trzymając pipetę odchyloną od pionu pod kątem od 10 do 40 stopni należy przyłożyć koniec końcówki do ścianki naczynia.
- Następnie powolnym, płynnym ruchem należy wcisnąć przycisk aż do pierwszego oporu powodując wydanie cieczy, (rys. 2C).
- Po upływie około sekundy należy docisnąć przycisk do końca w celu usunięcia z końcówki pozostałości cieczy, (rys. 2D).
- Trzymając przycisk wciśnięty do oporu wyjąć pipetę przesuważając końcówkę po ścianie naczynia.
- Następnie należy zwolnic przycisk pipetowania do pozycji początkowej, (rys. 2E) i zrzucić końcówkę wciskając przycisk wyrzutnika, (rys. 2F).

UWAGA: Jeżeli zmieniasz dozowaną ciecz pamiętaj, koniecznie wymień końcówkę na nową.

Filtry

W pipetach 5000 μ l i 10000 μ l zastosowano wymienny filtr zamontowany w gnieździe w dolnej części trzonu (rys. 3L). Filtr ten zabezpiecza przed dostaniem się pobieranej cieczy do wnętrza trzonu i tym samym przed zanieczyszczeniem wnętrza trzonu i nurnika.

Zastosowanie filtra jest ważne zwłaszcza przy pobieraniu i wydawaniu dużych objętości cieczy.

W przypadku zamoczenia filtra przy pobieraniu cieczy, należy wymienić go na nowy.

4 - PRZEPLUKIWANIE

Podczas pipetowania cieczy o gęstości większej lub napięciu powierzchniowym mniejszym niż woda (np. surowice lub rozpuszczalniki organiczne), warstwa cieczy osiada na wewnętrznej ściance końcówki. Warstwa ta może być źródłem błędów pomiaru. Ponieważ objętość tej warstwy pozostaje w przybliżeniu stała podczas kolejnych pipetowań z tą samą końcówką, błędów tego można uniknąć tworząc taką warstwę przed pierwszym pipetowaniem. W tym celu należy wykonać jeden pełny cykl pipetowania danej cieczy do tego samego naczynia. Po takim postępowaniu warstwa cieczy znajdzie się w końcówce zapewniając lepszą dokładność i powtarzalność kolejnych pipetowań.

5 - POBIERANIE CIECZY O DUŻEJ GĘSTOŚCI I LEPKOŚCI

Podane w specyfikacji wartości błędów dokładności i powtarzalności pipetowań określone zostały przy pipetowaniu wody destylowanej. Przy pipetowaniu płynów, których właściwości fizyczne takie jak gęstość, lepkość czy napięcie powierzchniowe znacznie różnią się od właściwości wody, może okazać się konieczne skompensowanie ustawienia objętości.

Normalnie, błąd wynikający z gęstości i lepkości cieczy jest pomijalny, jeżeli pipetowania dokonano powoli i ostrożnie. Najważniejsze jest tu na tyle powolne pipetowanie, aby ciecz mogła powoli nadążyć za zmieniającym się ciśnieniem. W tym celu należy każdorazowo odczekać co najmniej dwie sekundy po pobraniu i wydmuchaniu cieczy, nie zmieniając w tym czasie położenia pipety.

W wyjątkowych wypadkach jeżeli ten sposób postępowania nie zapewni utrzymania dokładnych wyników w pracy pipetą należy:

- ustawić pokrętkiem na pipecie objętość do pobrania i pobrać ciecz,
- zważyć pobraną objętość cieczy,
- następnie obliczyć wartość nowej nastawy objętości według następującego wzoru:

Nowa nastawa = $2 \times$ wielkość nominalna (objętość do pobrania) - $\frac{m}{\gamma}$

m - masa pobieranej cieczy przy pierwszym pipetowaniu

γ - gęstość pobieranej cieczy

Schemat ten należy powtórzyć w celu wyeliminowania ewentualnych błędów. Wartość poprawki - czyli różnicy pomiędzy wartością objętości ustawionej na pipecie a rzeczywistą objętością pobieraną można zanotować w celu wykorzystania przy późniejszym pipetowaniu tego samego płynu.

6 - KOŃCÓWKI DO PIPET HTL

Końcówki **HTL** wykonane są w nadzorowanym procesie produkcyjnym z najwyższej jakości polipropylenu co pozwala na uzyskanie najwyższej jakości wyrobu. Jakość ta gwarantuje prawidłową współpracę z pipetami **LAB MATE Soft** i zapewnia dokładne i powtarzalne pobieranie cieczy.

Błędy dokładności i powtarzalności pipet **LAB MATE Soft** zostały wyznaczone przy użyciu końcówek **HTL**. Zmiana końcówek na końcówki o niższej jakości może spowodować pogorszenie dokładności i powtarzalności pobierania.

Końcówki 10

Końcówki używane do pobierania cieczy o objętości od 0,1 do 10 μ l.

Stosowane do pipet typu LM2, LM10 wyposażonych w czerwony przycisk pipetowania.

Końcówki 200

Końcówki używane do pobierania cieczy o objętości od 2 do 200 μ l.

Stosowane do pipet typu LM20, LM50, LM100 i LM200, wyposażonych w żółty przycisk pipetowania.

Końcówki 300

Końcówki używane do pobierania cieczy o objętości od 50 do 250 μ l. Stosowane do pipet typu LM250, wyposażonych w zielony przycisk pipetowania.

Końcówki 1000

Końcówki używane do pobierania cieczy o objętości od 100 do 1000 μ l.

Stosowane do pipet typu LM1000, wyposażonych w niebieski przycisk pipetowania.

Końcówki 5000

Końcówki używane do pobierania cieczy o objętości od 1000 do 5000 μ l.

Stosowane do pipet typu LM5000, wyposażonych w biały przycisk pipetowania.

Końcówki 10000

Końcówki używane do pobierania cieczy o objętości od 1000 do 10000 μl .

Stosowane do pipet typu LM10000 wyposażonych w biały przycisk pipetowania.

7 - WSKAZÓWKI EKSPLOATACYJNE

Przestrzeżenie poniższych wskazówek zapewnia dokładne i powtarzalne pobieranie cieczy.

- Ruch przycisku pipetowania w czasie pobierania i wydawania cieczy powinien być wolny i płynny.
- Głębokość zanurzenia końcówki w pobieranej cieczy powinna być możliwie mała i stała w trakcie pobierania.
- Pipeta w czasie pracy powinna być trzymana pionowo.
- Końcówkę należy wymienić na nową jeżeli zmienia się dozowaną cieczą.
- Końcówkę należy wymienić na nową jeżeli pozostają w niej widoczne krople cieczy.
- Każda nowa końcówka powinna zostać przepłukana.
- Pobierana ciecz nie powinna dostać się do wnętrza trzonu pipety. Aby to zapewnić:
 - Wciskaj i zwalnij przycisk pipetowania wolno i płynnie.
 - Nie odkładaj pipety jeżeli w końcówce znajduje się ciecz.
 - Nie odwracaj pipety.
- Nie należy ustawiać pojemności poza nominalne wielkości.
- Przed pobieraniem cieczy o temperaturze różnej od temperatury otoczenia zaleca się kilkakrotne przepłukanie końcówki pobieraną cieczą.
- Nie należy pobierać cieczy o temperaturze powyżej 70°C.
- Po zakończeniu pobierania kwasów i agresywnych roztworów zaleca się odkręcenie trzonu pipety i przemyć nurnika, uszczelki i trzonu wodą destylowaną.

8 - REKALIBRACJA

Pipety **HTL** są kalibrowane metodą grawimetryczną, przy użyciu końcówek **HTL** i wody destylowanej, w temperaturze $20 \pm 1^\circ\text{C}$ zgodnie z normą PN-EN ISO 8655.

W przypadku stwierdzenia w trakcie używania pipety, że błąd dokładności (różnica między rzeczywistą objętością pobieraną a objętością nastawioną) przekracza dopuszczalną wartość podaną w tabeli w rozdziale 1, należy przeprowadzić rekaliczację pipety.

Przed przystąpieniem do rekaliczacji należy sprawdzić czy przy wyznaczaniu błędu zostały spełnione poniższe warunki:

- temperatura otoczenia, pipety, końcówek i wody była jednakowa,
- gęstość używanej cieczy była zbliżona do wody destylowanej,
- stosowana była waga o odpowiedniej czułości,

Sprawdzana objętość [μl]	Czułość wagi [mg]
0,1 - 10	$\leq 0,001$
10 - 100	$\leq 0,01$
> 100	$\leq 0,1$

- uwzględniony został przelicznik $\text{mg}/\mu\text{l}$,
 - spełnione zostały wymagania podane w rozdziałach 3 i 7.
- Jeżeli powyższe warunki zostały spełnione a błąd dokładności dla wybranej pojemności podanej w rozdziale 1 przekracza wartość dopuszczalną należy przeprowadzić rekaliczację pipety.

Rekaliczację można wykonać tylko w zakresie jednego pełnego obrotu klucza w lewą lub w prawą stronę.

Warunki przeprowadzenia rekaliczacji:

- Temperatura otoczenia, pipety, końcówki i cieczy powinna być w granicach $20-25^\circ\text{C}$ i stabilizowana w trakcie ważenia w granicach $\pm 0.5^\circ\text{C}$,
- Pomiar należy przeprowadzić przy użyciu wody destylowanej,
- Czułość wagi powinna być odpowiednia do sprawdzanej pojemności.

Sposób przeprowadzenia rekaliczacji:

- Ustawić objętość dawki w zależności od pojemności pipety zgodnie z poniższą tabelą.

Symbol	Zakres pojemności pipety [μl]	Objętość nastawiana [μl]	Dopuszczalne wartości [μl]	Zmiana objętości przy pełnym obrocie klucza kalibracyjnego ΔV [μl] (24 działki)
LM2	0,1 - 2	0,2	0,176 - 0,224	0,06
LM10	0,5 - 10	0,5	0,48 - 0,52	0,33
LM20	2 - 20	2	1,94 - 2,06	0,63
LM50	5 - 50	5	4,875 - 5,125	2,50
LM100	10 - 100	10	9,84 - 10,16	2,50
LM200	20 - 200	20	19,76 - 20,24	6,30
LM250	50 - 250	50	49,5 - 50,5	6,30
LM1000	100 - 1000	100	98,4 - 101,6	25,00
LM5000	1000 - 5000	1000	994 - 1006	125,00
LM10000	1000 - 10000	1000	975 - 1025	250,00

- Wykonać pięć pobrań, ważąc je za każdym razem i obliczyć średnią wartość tych pobrań.
- Obliczyć średnią pobieraną objętość w μl mnożąc średnią wartość pobrań [mg] przez współczynnik gęstości wody destylowanej [μl/mg] zależny od temperatury i ciśnienia wg tabeli.

Temperatura [°C]	Ciśnienie [kPa]		
	95,0	101,3	105,0
20	1,0028	1,0029	1,0029
21	1,0030	1,0031	1,0031
22	1,0032	1,0033	1,0033
23	1,0034	1,0035	1,0036
24	1,0037	1,0038	1,0038
25	1,0039	1,0040	1,0040

Jeśli średnia objętość pobierana przekracza dopuszczalne wartości należy:

- Zdjąć przycisk pipetowania, (rys. 4A),
Uwaga: Przycisk pipetowania składa się z dwóch części: pokrętła (rys. 1A2) i przycisku (rys. 1A1). Po zdjęciu przycisku obie części ulegają rozłączeniu.
- Trzymając pokrętło nastawiania objętości tak, aby zabezpieczyć je przed obrotem, włożyć klucz kalibracyjny w kanałki wkręta kalibracyjnego, (rys. 4B).
- Przekręcić klucz zgodnie ze wskazówkami zegara dla zmniejszenia wielkości pobieranej, lub przeciwnie do wskazówek zegara dla zwiększenia wielkości pobieranej, (rys. 4C). Jeden pełny obrót klucza kalibracyjnego

zmienia pobieraną objętość pipety o wartości ΔV podane w tabeli.

- Wyjąć klucz kalibracyjny i założyć przycisk pipetowania, (rys. 4D). Przycisk pipetowania zmontuj zakładając natrzpień najpierw pokrętło (rys. 1A2) a następnie przycisk (rys. 1A1).

Wyznaczyć średnią pobieraną objętość. Objętość średnia powinna mieścić się w obszarze dopuszczalnych wartości podanych w tabeli. Jeśli objętość ta przekracza podane wartości, rekalkibrację należy powtórzyć.

W przypadku pipetowania płynów, których właściwości fizyczne znacznie różnią się od właściwości wody należy postępować zgodnie z rozdziałem 5.

Więcej informacji na temat kalibracji znajduje się na stronie www.htl.com.pl

9 - USUWANIE DROBNYCH USTEREK

Jeżeli stwierdzisz nieprawidłową pracę pipety sprawdź przyczynę i usuń usterkę. Usuwając usterkę postępuj w kolejności podanej w instrukcji. Wymianę elementów na nowe traktuj jako ostateczność, która przy prawidłowej eksploatacji pipety nie powinna się zdarzyć.

W końcówce zostają krople cieczy.

- Zbyt szybkie opróżnianie końcówki.
Zwolnij prędkość wciśnięcia przycisku pipetowania.
- Zwiększona zwilżalność końcówki spowodowana wielokrotnym użyciem.
Wymień końcówkę na nową.

W cieczy pobranej do końcówki pojawiają się pęcherze powietrza.

- Mała głębokość zanurzenia końcówki.
Zanurz końcówkę głębiej zgodnie z instrukcją.
- Kończówka słabo wciśnięta na trzon pipety.
Wciśnij końcówkę mocniej.
- Kończówka uszkodzona lub wielokrotnie używana.
Wymień końcówkę na nową.

Pipeta nieprawidłowo pobiera lub ciecz wycieka z końcówki.

- Kończówka słabo wciśnięta na trzon pipety.
Wciśnij końcówkę mocniej.
- Odkręcona nakrętka mocująca trzon (rys. 3F).
Dokręć nakrętkę mocującą trzon.

- Pęknięcie lub zarysowanie powierzchni uszczelniającej trzonu.
Wyciągnij wyrzutnik, odkręć nakrętkę mocującą trzon, sprawdź trzon i zespół nurnika. Wymień uszkodzone części (patrz rozdz. 11), zmontuj pipetę dokręcając nakrętkę.
W pipetach LM2, LM10 i LM20 uszkodzenie trzonu może pociągnąć za sobą uszkodzenie zespołu nurnika. Wymień uszkodzone części (patrz rozdz. 11), zmontuj pipetę dokręcając nakrętkę.
Aby wyjąć wyrzutnik w pipetach LM5000 należy zdjąć przycisk wyrzutnika (rys. 3N) i za pomocą wkrętaka wykręcić wyrzutnik obracając wkrętak w kierunku przeciwnym do ruchu wskazówek zegara.
 - Uszkodzenie nurnika lub uszczelki pipety spowodowane długotrwałym pobieraniem agresywnych cieczy.
Rozkręć pipetę jak wyżej. Wymień zespół nurnika, uszczelkę i O-ring (patrz rozdz. 11). Umyj wewnątrz trzonu wodą destylowaną i wysusz. Uszczelkę i O-ring nasmaruj smarem dołączanym do każdej pipety. Wymiana nurnika wymaga rekalkibracji pipety. W pipetach LM2, LM10 należy zwrócić uwagę, aby elementy smarowane, były pokryte równomiernie, minimalną ilością smaru.
 - Nieprawidłowe zmontowanie pipety.
Rozmontuj pipetę i zmontuj ponownie zachowując prawidłową kolejność montażu (rys. 3).
 - Brak smaru na elementach uszczelniających.
Zdejmij wyrzutnik . Odkręć nakrętkę mocującą trzon, wyjmij trzon, zespół nurnika, uszczelkę i O-ring. Wyjęte części umyj w wodzie destylowanej i wysusz. Wewnętrzne powierzchnie uszczelki i O-ringa nasmaruj lekko smarem dołączanym do każdej pipety. Zmontuj pipetę w odwrotnej kolejności.
 - Zanieczyszczenie wnętrza pipety spowodowane długotrwałym pobieraniem cieczy agresywnych chemicznie lub zalaniem wnętrza pipety.
Wyciągnij wyrzutnik, odkręć nakrętkę mocującą trzon, wyjmij trzon, zespół nurnika, uszczelkę i O-ring. Wyjęte części umyj w wodzie destylowanej i wysusz. Wewnętrzne powierzchnie uszczelki i O-ringa nasmaruj lekko smarem. Zmontuj pipetę ponownie.
- Uwaga:** Trzon, nakrętka mocująca trzon, wyrzutnik,

zespół nurnika, uszczelka i O-ring mogą być jałowione w autoklawie w temperaturze 121°C przez 20 minut pod ciśnieniem 1 bar.

Trzony pipet 5000 i 10000 należy autoklawować bez filtra.

Rękojeść i zewnętrzne części pipety można czyścić tamponem nasyconym alkoholem izopropylowym.

Jeżeli wykonanie opisanych wyżej czynności nie usunie nieprawidłowej pracy pipety wyślij ją do serwisu **HTL**.

Przed wysyłką upewnij się czy pipeta nie jest zanieczyszczona agresywnymi odczynnikami chemicznymi, radioaktywnymi, mikrobiologicznymi stanowiącymi zagrożenie podczas transportu i naprawy. W miarę możliwości oczyść pipetę.

10 - KOMPLETACJA

Pipety dostarczane są w następującym skompletowaniu:

- Pipeta
- Instrukcja obsługi
- Klucz kalibracyjny
- Statyw do pipet
- Tulejki regulacyjne wyrzutnika (do pipet LM2-LM1000)
- Nasadka wyrzutnika (do pipet LM2, LM10, LM5000 i LM10000)
- Końcówki
- Nalepki identyfikacyjne
- Filtry (do pipet LM5000, LM10000)
- Smar

Schemat montażu statywu pokazany jest na rysunku 5.

11 - CZĘŚCI ZAMIENNE

Części zamienne do pipet **LAB MATE Soft** pokazane na rysunku 3, 4 i 6:

A: Przycisk pipetowania

A1: Przycisk A2: Pokrętko

B: Pokrętko kalibracyjne

C: Trzon

D: Wyrzutnik

F: Nakrętka mocująca trzon

G: Zespół nurnika

H: Tulejki regulacyjne

I: O-ring

J: Uszczelka

K: Klucz kalibracyjny

L: Filtr

M: Nasadka wyrzutnika

N: Przycisk wyrzutnika

Zamawiając części zamienne do pipety należy określić typ pipety, jej numery katalogowy, numer seryjny oraz podać nazwę zamawianej części.

UWAGA: Wymiana zespołu nurnika wymaga przeprowadzenia kalibracji pipety zgodnie z rozdziałem 8.

Wszelkie prawa zastrzeżone. Produkty opisane w niniejszej instrukcji są dostępne w ograniczonym zakresie i podlegają zmianom technicznym. Błędy są dopuszczalne.

PZ HTL S.A. zastrzega sobie prawo ulepszania lub innego modyfikowania swoich produktów bez wcześniejszego powiadomienia.

© 2010 PZ HTL S.A.

СОДЕРЖЕНИЕ

1 - ВВЕДЕНИЕ
2 - ВЫБОР И УСТАНОВКА ОБЪЕМА
3 - НАБОР И ВЫПУСКАНИЕ ЖИДКОСТИ
4 - ПРОМЫВКА
5 - НАБОР ЖИДКОСТИ ПОВЫШЕННОЙ ВЯЗКОСТИ
6 - НАКОНЕЧНИКИ НТЛ
7 - УКАЗАНИЯ ПО ЭКСПЛУАТАЦИИ
8 - КАЛИБРОВКА
9 - УСТРАНЕНИЕ МЕЛКИХ ДЕФЕКТОВ
10 - КОМПЛЕКТАЦИЯ
11 - ЗАПАСНЫЕ ЧАСТИ

1 - ВВЕДЕНИЕ

LAB MATE Soft - это пипетки переменного объема для дозирования жидкости в пределах 0,1 до 10000 мкл в зависимости от модели.

Пипетки **LAB MATE Soft** оснащены цифровым счетчиком, считывающим отмеряемую дозу жидкости. Отмеряемый объем виден в окошке рукоятки пипетки. Изменение объема достигается путем поворота воротка в кнопке пипетирования (рис. 1A2), либо путем вращения в нужном направлении чёрного калиброванного воротка регулирования объема (рис. 1B). Диапазон объемов, которые можно отмеривать с помощью пипетки, обозначен на клавише пипетирования, (рис. 1A1). Пипетки **LAB MATE Soft** изготавливаются в 10 моделях в пределах объема от 0,1 мкл до 10000 мкл.

Тип пипетки	Объем [мкл]
LM2	0.1 - 2
LM10	0.5 - 10
LM20	2 - 20
LM50	5 - 50
LM100	10 - 100
LM200	20 - 200
LM250	50 - 250
LM1000	100 - 1000
LM5000	1000 - 5000
LM10000	1000 - 10000

Предназначение пипеток в зависимости от объема.

LM2, LM10	Измерение, перенос, малых количеств, деление ДНА и определение ферментов.
LM20, LM50, LM100, LM200, LM250, LM1000	Измерение, перенос, водных, кислотных и щелочных растворов.
LM5000, LM10000	Измерение, перенос больших объемов.

Жидкость набирается в наконечники, одеваемые на пипетки. Однократное употребление наконечников гарантирует безопасность и исключает возможность загрязнения набираемой жидкости.

Сбрасывание наконечников облегчает сбрасыватель, вмонтированный в пипетку. Применение сбрасывателя позволяет избежать контакта с загрязненным наконечником.

Сбрасыватель наконечников можно снять с пипетки, облегчая таким образом набор жидкости из длинных пробирок с малым диаметром. Изменение длины сбрасывателя позволяет использовать в работе большой ассортимент наконечников.

Регулирование длины сбрасывателя наконечника.

- в пипетках емкостью 2-1000 мкл (рис. 6A)

Прилагаемые к упаковке пипетки пластмассовые втулки регуляторы „Н” позволяют на изменение длины сбрасывателя на +1 мм или +2 мм. Внешняя форма втулки позволяет идентифицировать величину изменения.

- в пипетках емкостью 5000 и 10000 мкл (рис. 6B)

Регулировку длины сбрасывателя выполняем путем ввинчивания или вывинчивания стержня сбрасывателя отверткой. Для удлинения сбрасывателя следует поворачивать отвертку против часовой стрелки, а для

сокращения длины сбрасывателя - поворачивать отвертку по часовой стрелке. Пределы такой регулировки составляют 5 мм.

Если вышеописанный метод настройки сбрасывателя оказался недостаточным или диаметр отверстия сбрасывателя слишком велик для того, чтобы сбросить наконечник, необходимо надеть на сбрасыватель насадку "М", (рис. 6С).

- в пипетках емкостью 2-100 мкл (рис. 6D)

Пипетки в диапазоне 2 μ л - 10 μ л могут требовать применения насадки эжекторов "М" для эффективного сбрасывания наконечников, поставляемых на рынок различными поставщиками. Насадку, которая находится к комплекту с пипеткой, следует надеть на кончик эжектора со стороны конца штока таким образом, чтобы насадка охватывала эжектор.

Пипетки **LAB MATE Soft** - приборы высокого качества, обеспечивающие высокую точность дозирования.

Ошибки точности и воспроизводимости дозирования жидкости зависят от качества применяемых наконечников. Ошибки приведены в таблице и определены при помощи наконечников **HTL**. Только эти наконечники гарантируют точность при работе с пипетками, а также обеспечивают воспроизводимость дозирования жидкости.

Технические параметры

Тип пипетки	№ по каталогу	Объем (мкл)	Ошибка точности [%]	Ошибка воспроизводимости [%]	Тип наконечника	Цвет конуса
LM2	4811	0,2 1,0 Макс. 2,0	$\pm 12,0$ $\pm 2,7$ $\pm 1,5$	$\pm 6,0$ $\pm 1,3$ $\pm 0,7$	10 μ л	красный
LM10	4812	Мин. 0,5 5,0 Макс. 10,0	$\pm 4,0$ $\pm 1,0$ $\pm 0,5$	$\pm 2,8$ $\pm 0,6$ $\pm 0,4$		
LM20	4813	Мин. 2 10 Макс. 20	$\pm 3,0$ $\pm 1,0$ $\pm 0,8$	$\pm 1,5$ $\pm 0,5$ $\pm 0,3$	200 μ л	желтый
LM50	4817	Мин. 5 25 Макс. 50	$\pm 2,5$ $\pm 1,0$ $\pm 0,8$	$\pm 2,0$ $\pm 0,6$ $\pm 0,4$		
LM100	4814	Мин. 10 50 Макс. 100	$\pm 1,6$ $\pm 0,8$ $\pm 0,8$	$\pm 0,80$ $\pm 0,24$ $\pm 0,20$		
LM200	4815	Мин. 20 100 Макс. 200	$\pm 1,2$ $\pm 0,8$ $\pm 0,6$	$\pm 0,60$ $\pm 0,25$ $\pm 0,20$		

LM250	4810	Мин. 50 125 Макс. 250	$\pm 1,0$ $\pm 0,8$ $\pm 0,6$	$\pm 0,4$ $\pm 0,3$ $\pm 0,3$	300 μ л	зеленый
LM1000	4816	Мин. 100 500 Макс. 1000	$\pm 1,6$ $\pm 0,7$ $\pm 0,6$	$\pm 0,40$ $\pm 0,20$ $\pm 0,15$	1000 μ л	голубой
LM5000	4818	Мин. 1000 2500 Макс. 5000	$\pm 0,6$ $\pm 0,6$ $\pm 0,5$	$\pm 0,25$ $\pm 0,20$ $\pm 0,15$	5000 μ л	светло-серый
LM10000	4819	Мин. 1000 5000 Макс. 10000	$\pm 2,5$ $\pm 0,8$ $\pm 0,5$	$\pm 0,6$ $\pm 0,3$ $\pm 0,2$	10000 μ л	светло-серый

Ошибки точности и воспроизводимости были определены при использовании наконечников **HTL** гравимитрическим методом по 10 отборам проб дистиллированной воды при температуре $20 \pm 1^\circ\text{C}$, в соответствии со стандартом EN ISO 8655.

Конструкция пипетки обеспечивает возможность пользователю провести ее калибровку в порядке, приведенном в разделе 8.

2 - УСТАНОВКА ОБЪЕМА

Три цифры, указанные на счетчике, нужно отчитывать по порядку сверху вниз. Дополнительно, на самом нижнем валике счетчика нанесена шкала, позволяющая установку в пределах деления элементарной пипетки.

Примеры обозначений красных и черных цифр:

Пипетки **LM2**

Красные цифры в конце = 1/100 мкл
Цена деления = 0,002 мкл

LM2
1
2
5

1,25 мкл

Пипетки **LM10, LM20**

Красные цифры в конце = 1/10 мкл
Цена деления = 0,02 мкл

LM10	LM20
0	1
7	2
5	5

7,5 мкл 12,50 мкл

Пипетки **LM50, LM100, LM200, LM250**

Только черные цифры = мкл
Цена деления = 0,2 мкл

LM50, LM100	LM200, LM250
0	1
7	2
5	5

75 мкл 125 мкл

Пипетки **LM1000, LM5000**
Красные цифры на верху = мл
Цена деления =

LM1000	красный	LM5000
0		1
7		2
5		5
0.75 мл		1.25 мл
2 мкл		10 мкл

Пипетки **LM10000**
Только черные цифры = мл
Цена деления = 20 мкл

LM10000
красный
красный
0
7
5
7.5 мл

Емкость пипетки регулируется с помощью ручки-воротка, расположенной в кнопке пипетирования (рис.1A2) либо ручки установки емкости (рис.1B). Чтобы достичь максимальной точности, нужная емкость должна устанавливаться начиная с более высокой, путем уменьшения показаний счетчика.

- Если нужная емкость ниже установленной на счетчике, показания счетчика необходимо уменьшить до получения нужного значения, вращая для этого ручку-вороток кнопки пипетирования (рис. 1A2) либо регулятора установки объема (рис.1B). Перед достижением нужного значения, скорость вращения ручки следует уменьшить, чтобы случайно не пропустить устанавливаемое значение.
- Если нужная емкость выше установленной на счетчике, показания счетчика следует увеличить до значения, превышающего нужную емкость на около 1/3 оборота нижнего барабана, вращая для этого ручку-вороток кнопки пипетирования либо регулятора установки объема. Затем, путем медленного вращения ручки, скорость установки необходимо постепенно уменьшать, так чтобы не пропустить нужное значение.

В случае превышения нужного значения, процесс установки следует повторить. Нужная емкость должна всегда устанавливаться исходя из более высокой, путем уменьшения показаний счетчика.

3 - НАБОР И ВЫПУСКАНИЕ ЖИДКОСТИ.

На конус пипетки нужно надеть наконечник. Способ подборки наконечников описано в разделе 6. Наконечник нужно надеть на конус пипетки вращательным движением, сильно прижимая. Это обес-

печивает герметичное соприкосновение наконечника с пипеткой.

ВНИМАНИЕ: Не можно набирать жидкость пипеткой без наконечника.

Набор жидкости.

Нажат кнопку пипетки до первого упора (рис. 2A). Удерживая пипетки вертикально, погрузить наконечник в дозируемую жидкость. Глубина погружения зависит от используемого наконечника и величины набираемого объема.

Тип пипетки	Глубина погружения [мм]
LM2	≤ 1
LM10	≤ 1
LM20, LM50, LM100	2 ÷ 3
LM200, LM250, LM1000	2 ÷ 3
LM5000	3 ÷ 6
LM10000	5 ÷ 7

Медленно и плавно отпустить кнопку пипетки, набирая жидкость в наконечник (рис. 2B). Подождать в течение секунды и вынуть наконечник. При погружении наконечника на более мелкую, чем рекомендуемая глубину, или при быстром освобождении кнопки сбрасывания в наконечник, может произойти засасывание воздуха.

ВНИМАНИЕ: Нельзя прикасаться к использованному наконечнику.

Выпускание жидкости.

Слегка наклонив пипетку (на 10-40°) нужно дотронуться наконечником до внутренней стенки сосуда. Затем медленно и плавно нажать кнопку до упора, что приводит к удалению жидкости. (рис. 2C). Подождать в течение секунды. Дожать кнопку пипетки до конца в целю удаления оставшейся жидкости. Удерживая кнопку пипетки, нажатой до упора, вынуть наконечник, перемещая его по стенке сосуда. Затем нужно отпустить кнопку пипетки до первоначальной позиции и снять наконечник, нажимая на кнопку сбрасывателя.

ВНИМАНИЕ: При смене набираемой жидкости необходимо заменить наконечник.

Фильтры

В пипетках 5000 мкл и 10000 мкл применен сменный фильтр, монтируемый в гнезде, в нижней части корпуса (рис. 3L). Этот фильтр предохраняет от попадания набираемой жидкости внутрь корпуса и тем самым предотвращает загрязнение внутренней полости корпуса и плунжера. Применение фильтра имеет очень важное значение, особенно при набирании и выпускании больших объемов жидкости.

В случае, если фильтр замочится при набирании жидкости, необходимо его заменить новым.

4 - ПРОМЫВКА

При использовании пипетки для дозирования концентрированных кислот, щелочей, а также других едких жидкостей, слой этих жидкостей оседает на внутренней поверхности наконечников что может быть источником ошибок измерений. Так как объем слоев остается примерно постоянным во время следующих работ с тем самым наконечником, то ошибку можно устранить. Для этого нужно провести полный цикл набора и удаление жидкости в одном и том же сосуде. После такой процедуры слой жидкости будет находиться в наконечнике и обеспечит лучшую точность воспроизводимости в дальнейшей работе.

5 - НАБОР ЖИДКОСТИ ПОВЫШЕННОЙ ВЯЗКОСТИ

Если вышеописанный метод в исключительных случаях не позволяет получить точных результатов, то нужно:

- Уставить воротком на пипетке объем набираемой жидкости и набрать жидкость,
- Затем взвесить объем набранной жидкости,
- Затем вычислить новую величину установки следующим образом:

Новая установка

= 2 x номинальная величина (объем до отбора) - $\frac{m}{\gamma}$

m - масса жидкости при первом отборе

γ - вязкость жидкости

Вышеуказанный метод нужно повторить для устранения ошибок. Величина исправлений, т. е. разница

между величиной объема установленной на пипетке, а действительным набранным объемом, можно записать и использовать в дальнейшей работе с той самой жидкостью.

6 - НАКОНЕЧНИКИ HTL

Наконечники **HTL** изготовлены из высококачественного полипропилена. Качество наконечников гарантирует правильную работу пипеток **LAB MATE Soft** и обеспечивает точный и воспроизводимый набор жидкости. Ошибки точности и воспроизводимости результатов работы пипеток **LAB MATE Soft** были определены с использованием наконечников **HTL**. Замена этих наконечников на наконечники других фирм может послужить причиной ухудшения точности работы пипеток.

В зависимости от набираемого объема применяются наконечники **HTL**:

Наконечник 10

Бесцветный наконечник 10 употребляется для набора жидкости объемом от 0,1 до 10 мкл. Используются с пипетками LM2, LM10 имеющими красную кнопку.

Наконечники 200

Наконечники употребляются для набора жидкости объемом от 2 до 200 мкл. Используются с пипетками LM20, LM50, LM100, LM200 имеющими желтую кнопку.

Наконечники 300

Наконечники употребляются для набора жидкости, объемом от 50 до 250 мкл. для пипеток. Используются с пипетками типа LM250, имеющими зеленую кнопку.

Наконечники 1000

Наконечники употребляются для набора жидкости объемом от 100 до 1000 мкл. Используются с пипетками типа LM1000 имеющими голубую кнопку.

Наконечники 5000

Наконечники употребляются для набора жидкости объемом от 1000 до 5000 мкл. Используются с пипетками типа LM5000 имеющими белую кнопку.

Наконечники 10000

Эти наконечники применяются для набирания жидкостей объемом от 1000 до 10000 мкл. Применяются для пипеток типа LM10000, оснащенных белой кнопкой отмеривания.

7 - УКАЗАНИЯ ПО ЭКСПЛУАТАЦИИ.

Соблюдение следующих правил гарантирует точный и воспроизводимый набор жидкости.

- Во время работы (набора и слива жидкости) нажимать и отпускать кнопку нужно медленно и плавно.
- Во время набора жидкости наконечник надо опускать в жидкость не глубоко и на постоянную глубину.
- Во время работы пипетку необходимо держать вертикально.
- При смене набираемой жидкости необходимо сменить наконечник.
- Если на стенках наконечника остаются капли жидкости, то наконечник нужно заменить.
- Каждый новый наконечник нужно предварительно прополоскать.
- Не допускается попадания жидкости внутрь конуса пипетки. Чтобы избежать этого, необходимо:
 - нажимать и отпускать кнопку пипетки медленно и плавно,
 - не класть пипетку с жидкостью, набранной в наконечник,
 - не переворачивать пипетку.
- Не можно устанавливать объема за границей номинального размера.
- Перед набором жидкости, температура которой отличается от температуры окружающей среды рекомендуется несколько раз прополоскать наконечник этой жидкостью.
- Не допускается набор жидкости температура которой выше 70°C.
- После работы с кислотами или другими агрессивными жидкостями рекомендуется разобрать пипетку и промыть плунжер, уплотнитель, конуса дистиллированной водой.

8 - КАЛИБРОВКА

Пипетки **HTL** калибруются гравиметрическим способом с применением наконечников **HTL** и дистиллированной воды, при температуре $20 \pm 1^\circ\text{C}$, в соответствии со стандартом EN ISO 8655.

Если в ходе применения пипетки оказывается, что ошибка точности (разница между фактически отбира-

емым и установленным объемами) превышает допустимое значение, указанное в таблице в разделе 1, следует провести калибровку пипетки.

Прежде чем приступить к калибровке, необходимо проверить, удовлетворялись ли при определении ошибки следующие условия:

- температура окружающей среды, пипетки, наконечника и воды должна быть одинаковой,
- была ли плотность применяемой жидкости близкой плотности дистиллированной воды,
- использовались ли весы с соответствующей чувствительностью,

Проверяемый объем [мкл]	Чувствительность весов [мг]
0,1 - 10	$\leq 0,001$
10 - 100	$\leq 0,01$
> 100	$\leq 0,1$

- был ли учтен пересчетный коэффициент мг/мкл,
- удовлетворялись ли требования, приведенные в разделах 3 и 7.

Если вышеуказанные условия удовлетворялись, а ошибка точности для выбранной емкости, указанной в разделе 1, превышает допустимое значение, следует провести повторную калибровку пипетки.

Повторную калибровку можно производить только в диапазоне одного полного оборота ключа вправо или влево.

Условия проведения калибровки:

- температура окружающей среды, пипетки, наконечника и жидкости должна находиться в пределах 20-25°C и быть стабильной в ходе взвешивания в пределах $\pm 0,5^\circ\text{C}$,
- измерения следует производить с применением дистиллированной воды,
- чувствительность весов должна соответствовать проверяемой емкости.

Порядок проведения калибровки:

- установить объем дозы в зависимости от емкости пипетки в соответствии с нижеследующей таблицей.

Тип пипетки	Диапазон емкости пипетки [мкл]	Устанавливаемый объем [мкл]	Допустимые значения [мкл]	Изменение объема при полном обороте калибровочного ключа ΔV [мкл] (24 цены деления)
LM2	0,1 - 2	0,2	0,176 - 0,224	0,06
LM10	0,5 - 10	0,5	0,48 - 0,52	0,33
LM20	2 - 20	2	1,94 - 2,06	0,63
LM50	5 - 50	5	4,875 - 5,125	2,50
LM100	10 - 100	10	9,84 - 10,16	2,50
LM200	20 - 200	20	19,76 - 20,24	6,30
LM250	50 - 250	50	49,5 - 50,5	6,30
LM1000	100 - 1000	100	98,4 - 101,6	25,00
LM5000	1000 - 5000	1000	994 - 1006	125,00
LM10000	1000 - 10000	1000	975 - 1025	250,00

- отобрать пять доз, взвешивая их каждый раз, вычислить среднее значение.
- вычислить средний объем отбираемой дозы в мкл, умножая среднее значение [мг] на коэффициент плотности дистиллированной воды [мкл/мг], зависящий от температуры и давления согл. таблице.

Температура [°C]	Давление [кПа]		
	95,0	101,3	105,0
20	1,0028	1,0029	1,0029
21	1,0030	1,0031	1,0031
22	1,0032	1,0033	1,0033
23	1,0034	1,0035	1,0036
24	1,0037	1,0038	1,0038
25	1,0039	1,0040	1,0040

Если средний объем отбираемой дозы превышает допустимые значения, следует:

- снять кнопку отмеривания, (рис. 4A),
Внимание: Кнопка пипетирования состоит из 2 частей: воротка (рис. 1A2) и клавиша (рис. 1A1). После снятия клавиша обе части разъединяются.
- придерживая кольцо установки объема, не допуская его поворота, вставить калибровочный ключ в вырезы калибровочного винта, (рис. 4B),
- повернуть ключ по часовой стрелке для уменьшения дозы или, наоборот, против часовой стрелки - для увеличения дозы, (рис. 4C).

Один полный оборот калибровочного ключа изменяет объем отбираемой пипеткой дозы на значения, указанные в таблице,

- вынуть калибровочный ключ и установить кнопку пипетирования (рис. 4D). В целях монтажа кнопки пипетирования необходимо вначале насадить вороток на конус пипетки (рис. 1A2), затем клавиш. (рис. 1A1).

Определить средний объем отбираемой дозы. Он должен укладываться в области допустимых значений, приведенных в таблице. Если этот объем превышает указанные значения, калибровку следует повторить.

В случае отмеривания жидкостей, которые по физическим свойствам значительно отличаются от воды, поступать в соответствии с указаниями раздела 5.

Более подробная информация о калибровке находится на сайте www.htl.com.pl

9 - УСТРАНЕНИЕ МЕЛКИХ ДЕФЕКТОВ

При обнаружении неправильной работы пипетки, установите причину и устраните неисправность. При этом, следует поступать в порядке, указанном в инструкции. Замену элементов новыми нужно считать крайностью, которая не должна иметь места при правильной эксплуатации пипетки.

В наконечнике остаются капли жидкости.

- Слишком быстрое опорожнение наконечника.
Нажимайте кнопку пипетки медленнее.
- Повышенное смачивание наконечника, вызванное многократным употреблением.
Замените наконечник новым.

В набранной в наконечник жидкости появляются воздушные пузыри.

- Слишком мелкое погружение наконечника.
Погрузите наконечник глубже, в соответствии с инструкцией.
- Наконечник слабо втиснут на конус пипетки.
Сильнее втисните наконечник.
- Наконечник поврежден или многократно использовался.
Замените наконечник новым.

Пипетка неправильно набирает жидкость или жидкость вытекает из наконечника.

- Наконечник слабо втиснут на конус пипетки.
Сильнее втисните наконечник.
- Ослаблена гайка крепления конуса (рис. 3F).
Затяните гайку крепления конуса.
- Трещина или царапина на поверхности уплотнения конуса.
Снимите сбрасыватель, открутите гайку крепления конуса, проверьте конус и плунжер. Замените поврежденные элементы (см. глава 11), соберите пипетку, затягивая гайку.
В пипетках LM2, LM10 и LM20 повреждение конуса может повлечь за собой повреждение плунжера. Замените поврежденные детали (см. глава. 11), соберите пипетку, затягивая гайку.
Чтобы изъять сбрасыватель из пипеток LM5000 и LM10000 необходимо снять кнопку сбрасывателя (рис. 3N) и с помощью отвертки вывинтить сбрасыватель, вращая отвертку по направлению против часовой стрелки.
- Повреждение плунжера или прокладки пипетки, вызванное длительным набором агрессивных жидкостей.
Разберите пипетку, описанным выше способом. Поменяйте плунжер, прокладку и O-ринг (см. глава 11). Вымойте внутреннюю часть дистиллированной водой. Уплотнительную прокладку и O-ринг смажьте смазкой, которая прилагается к каждой пипетке.
Смена плунжера требует повторной калибровки. В пипетках LM2 и LM10 следует обратить внимание на то, чтобы смазываемые элементы были равномерно покрыты минимальным количеством смазки.
- Неправильная сборка пипетки.
Разберите пипетку и соберите ее повторно, соблюдая правильную последовательность сборки (рис. 3).
- Отсутствие смазки на уплотнительных элементах.
Снимите сбрасыватель. Отвинтите гайку крепления конуса, изымите конус, плунжер, уплотнительную прокладку и O-ринг. Изъятые детали вымойте дистиллированной водой и высушите.

Внутренние поверхности уплотнительной прокладки и O-ринга слегка смажьте смазкой, которая прилагается к каждой пипетке. Соберите пипетку в обратной последовательности.

- Загрязнение внутренней части пипетки, вызванное длительным набором химически агрессивных жидкостей или попаданием жидкости в пипетку.
Снимите сбрасыватель, отвинтите гайку крепления конуса, изымите конус, плунжер, уплотнительную прокладку и O-ринг. Изъятые детали вымойте дистиллированной водой и высушите. Внутренние поверхности уплотнительной прокладки и O-ринга слегка смажьте смазкой. Соберите обратно пипетку.

Внимание: Конус, гайка крепления конуса, сбрасыватель, плунжер, уплотнительная прокладка и O-ринг могут стерилизоваться в автоклаве при температуре 121°C, в течение 20 минут, под давлением 1 бар.

Конусы пипеток 5000 и 10000 нужно стерилизовать в автоклаве без фильтра.

Рукоятка и наружные элементы пипетки можно чистить тампоном, пропитанным изопропиловым спиртом.

Если выполнение вышеуказанных действий не приведет к правильной работе пипетки, отправьте ее в сервис HTL.

Перед отправлением проверьте не загрязнена ли пипетка химически агрессивными, радиоактивными, микробиологическими реагентами, которые могут представлять угрозу во время транспортировки и ремонта. По мере возможности необходимо очистить пипетку.

10 - КОМПЛЕКТАЦИЯ

Пипетки поставляются в комплекте:

- пипетка
- инструкция по обслуживанию
- калибровочный ключ
- штатив для пипеток
- регулировочные втулки сбрасывателя (для пипеток LM2 - LM1000)
- насадка сбрасывателя (для пипеток LM2, LM10, LM5000, LM10000)
- наконечники
- идентификационные наклейки
- фильтры (для пипеток LM5000, LM10000)
- смазка

Способ монтажа штатива показан на рисунке 5.

11 - ЗАПАСНЫЕ ЧАСТИ.

Запасные части до пипеток **LAB MATE Soft** показаны на рисунке 3, 4 и 6:

A: Кнопка пипетирования

A1: Клавиш A2: Вороток

B: Вороток регулировании обемки

C: Конус

D: Сбрасыватель

F: Гайка закрепляющая конус

G: Агрегат плунжера

H: Втулка

I: O-ринг

J: Уплотнитель

K: Калибровочный ключ

L: Фильтр

M: Насадка сбрасывателя

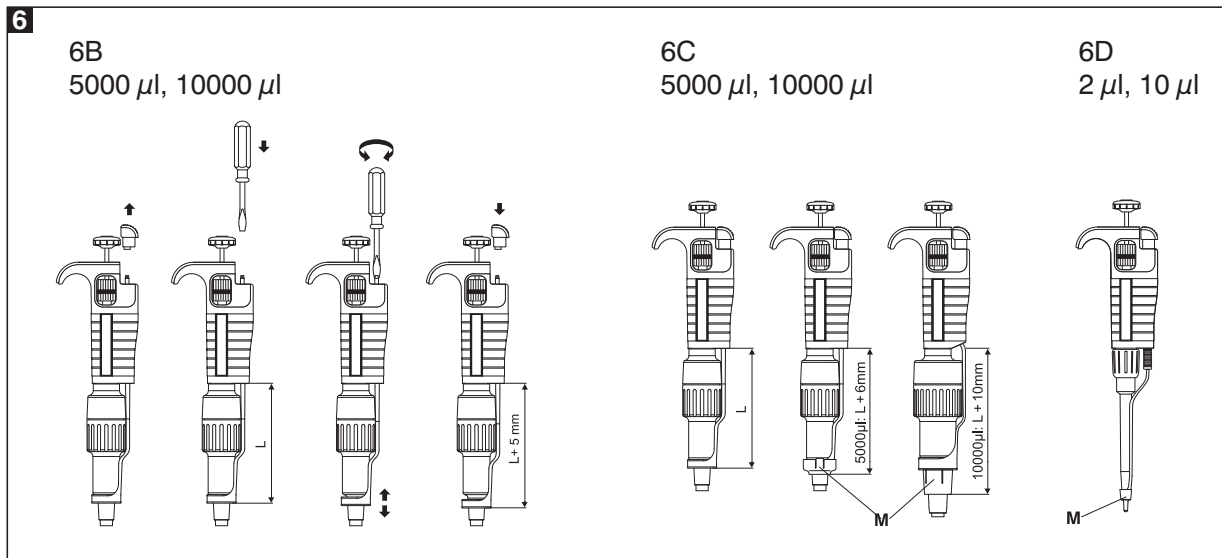
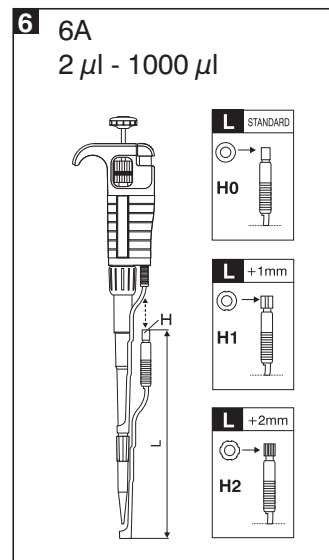
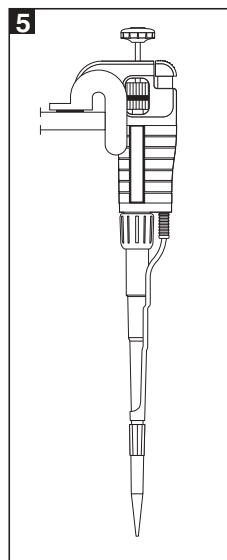
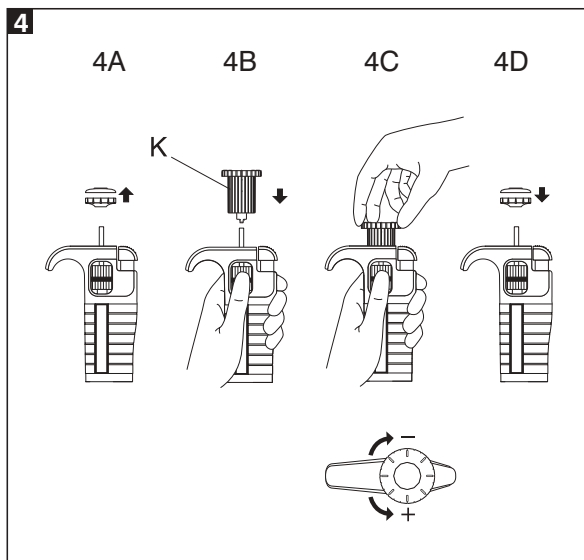
N: Кнопка сбрасывателя

При заказе запасных частей для пипетки необходимо определить тип пипетки, каталоговый и серийный номер пипеты, а также указать название заказываемой части.

Замечание: Замена узла плунжера требует проведения калибровки в соответствии с разделом 8.

Все права защищены. Продукты, описанные в настоящей инструкции, доступны в ограниченном количестве и подлежат техническим изменениям. Ошибки допускаются. PZ HTL S.A. оставляет за собой право на усовершенствование либо иного рода модификацию своих продуктов без предварительного уведомления.
© 2010 PZ HTL S.A.

LM-S/26/01/2010



Producent:

PZ HTL S.A.
Daniszewska 4.
03-230 Warsaw, Poland
Tel.: +48 22 492-19-00
Fax: +48 22 492-19-93
www.htl.com.pl